



InspirAIR® PRONTO

PRONTO 20

Energy Recovery Ventilator

PRODUCT
SPECIFICATIONS
SHEET



NOMINAL CAPACITY

500-2200 CFM

PLATE EXCHANGER

High Latent Transfer (sensible and latent heat transfer)

CASING

(Standard)

- Double-wall cabinet
- 22-gauge galvanized steel interior
- Access doors with quarter-turn handles
- 22-gauge galvanized steel drain pan
- Drain Connections: 1" (25 mm) NPT
- Insulation: 1" (25 mm)
- Painted white baked enamel outside finish
- Supply and exhaust hoods with bird screens
- Aluminium insulated motorized damper with endswitch contacts on outside air and exhaust air opening

MOUNTING (Standard)

- Standard Platform
- Isolated 18-gauge galvanized steel roof curb, 14 inches in height (to order separately)

Product code: RC-Pronto20-I

ELECTRICAL & CONTROLS (Standard)

- Non-fused disconnect (NEMA 4)
- 24 V transformer for controls
- Single point power

Electrical Parameters			
KW	FLA	MCA	MOP
2.94	8.6	10.75	15

(Optional: Sold Separately)

- Bacnet MSTP controller kit Product code: 699626
- Bacnet IP Controller kit Product code: 699627

WARRANTY

Limited to 2 years on the cores and all covered components.

FILTERS

(Standard)

Quantity: 2 supply, 2 exhaust

Type: MERV 8

Dimensions: 16" x 20" x 2" (407 mm x 508 mm x 305 mm)

Dirty filter alarm

(Optional: Sold Separately)

MERV 13 Filters (substitute on supply air circuit only)

Product code: 607071

BLOWERS & MOTORS

- Quantity: 2 (1 per air stream)
- Plenum Type: Backward Inclined
- Permanently sealed and lubricated ball bearings
- Direct Drive EC Motor
- Available Voltages: 208 / 3 / 60Hz

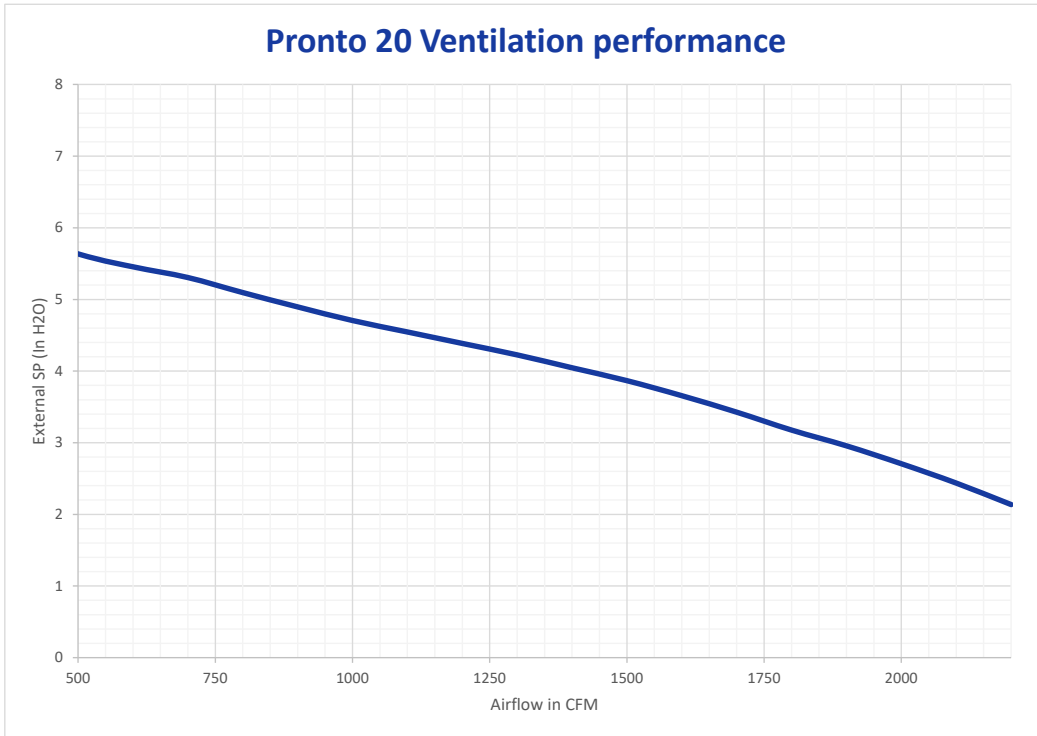
FROST PREVENTION/CONTROL

- Fan defrost cycles activated by a temperature reference: 14°F (-10°C).

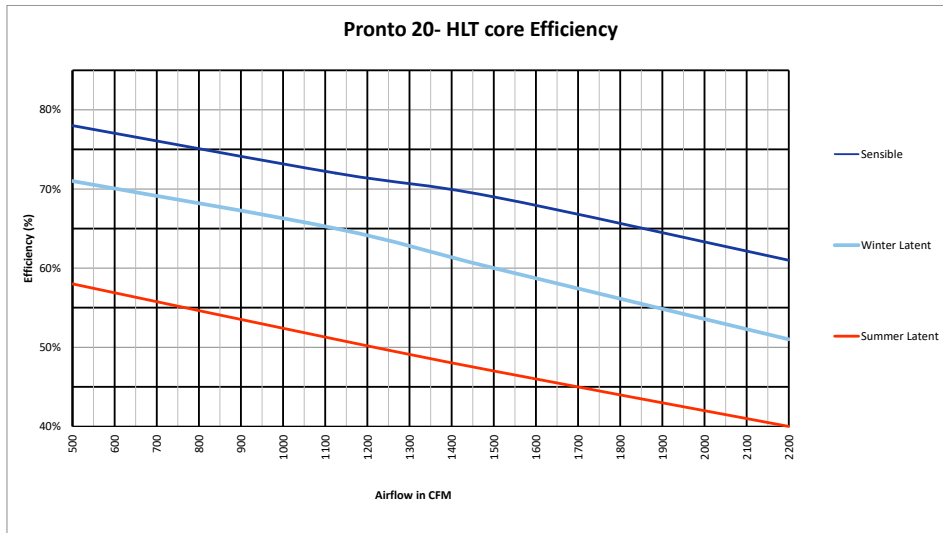
T2 < outside temperature < T1	Defrost time (mins)	7
	Exchange time (mins)	39
T3 < outside temperature < T2	Defrost time (mins)	7
	Exchange time (mins)	29.5
Outside temperature < T3	Defrost time (mins)	7
	Exchange time (mins)	20

T1 (°C)	-10
T2 (°C)	-18
T3 (°C)	-25

PRONTO 20: Ventilation Performance



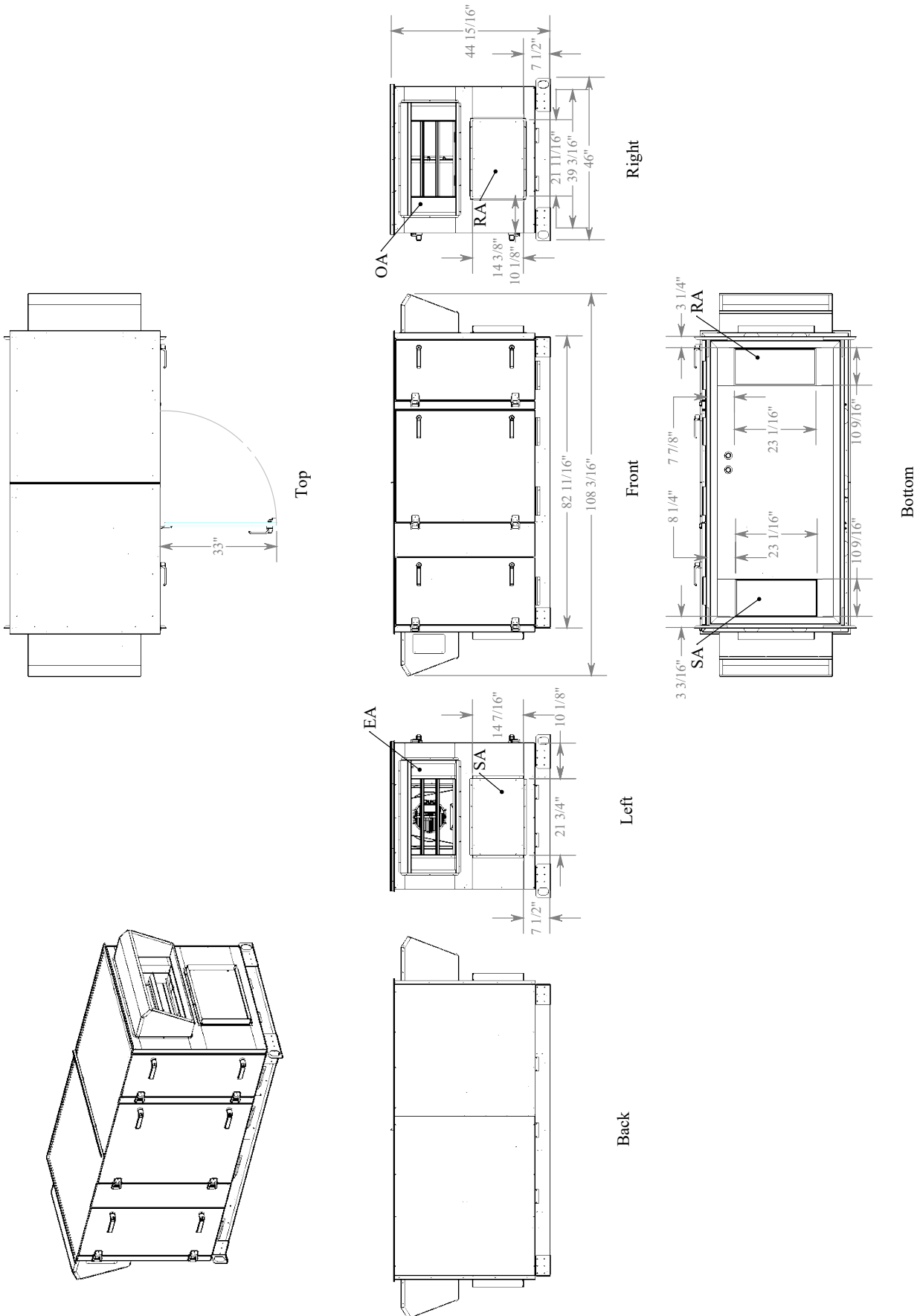
High Latent Transfer Core Performance



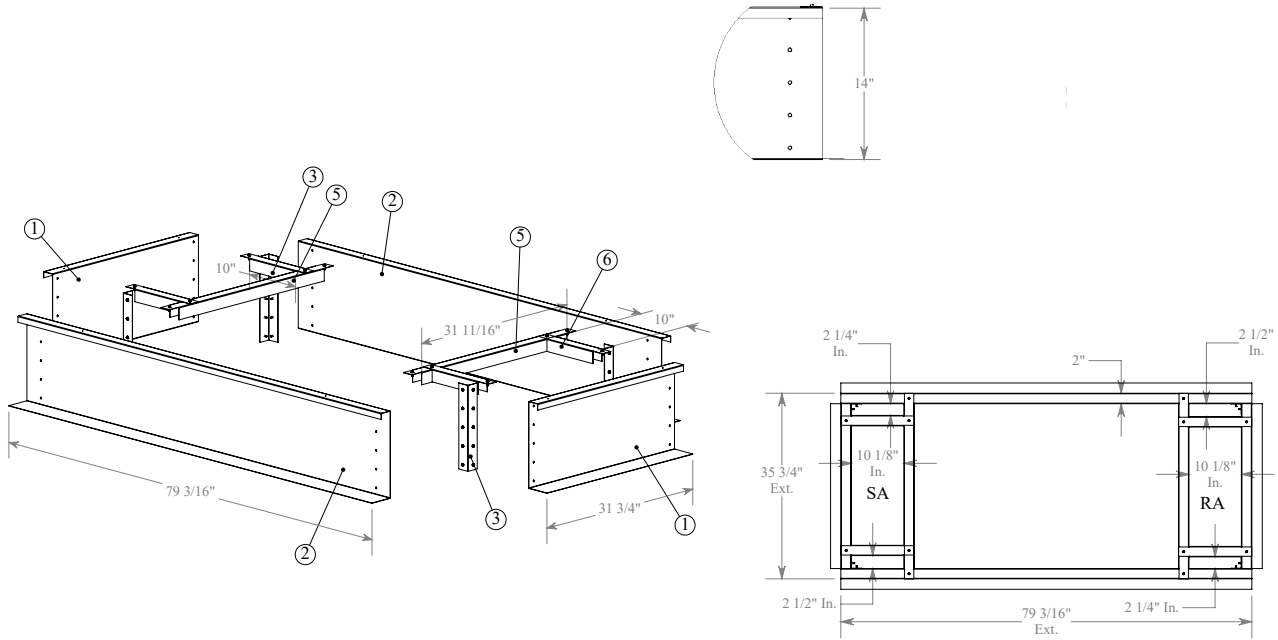
AHRI STANDARD CONDITIONS	CONDITIONS	
Outside Air Temperature	Winter	Summer
Dry Bulb	35°F (1.7°C)	95°F (35°C)
Wet Bulb	33°F (0.6°C)	78°F (25.6°C)
Exhaust Air Temperature	Winter	Summer
Dry Bulb	70°F (21.1°C)	75°F (23.9°C)
Wet Bulb	58°F (14.4°C)	63°F (17.2°C)

Note: Efficiencies are based on AHRI standard conditions.

PRONTO 20: Dimensions (Standard - inches)

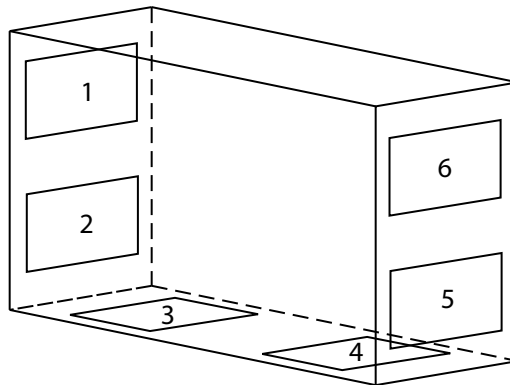


PRONTO 20: Roof Curb Dimensions - inches



PRONTO 20: Configurations & Weights

AVAILABLE CONFIGURATIONS
1-2-5-6
1-3-4-6



DUCT CONNECTION KEY	
1	Exhaust Air (EA)
2, 3	Supply Air (SA)
4, 5	Return Air (RA)
6	Outside Air (OA)

PRONTO 20 WEIGHTS	
Unit Weight	1200 lbs
Unit Shipping Weight	1300 lbs

For more information, contact your Aldes sales advisor, visit aldes-na.com, call 1.800.255.7749, or find us on

