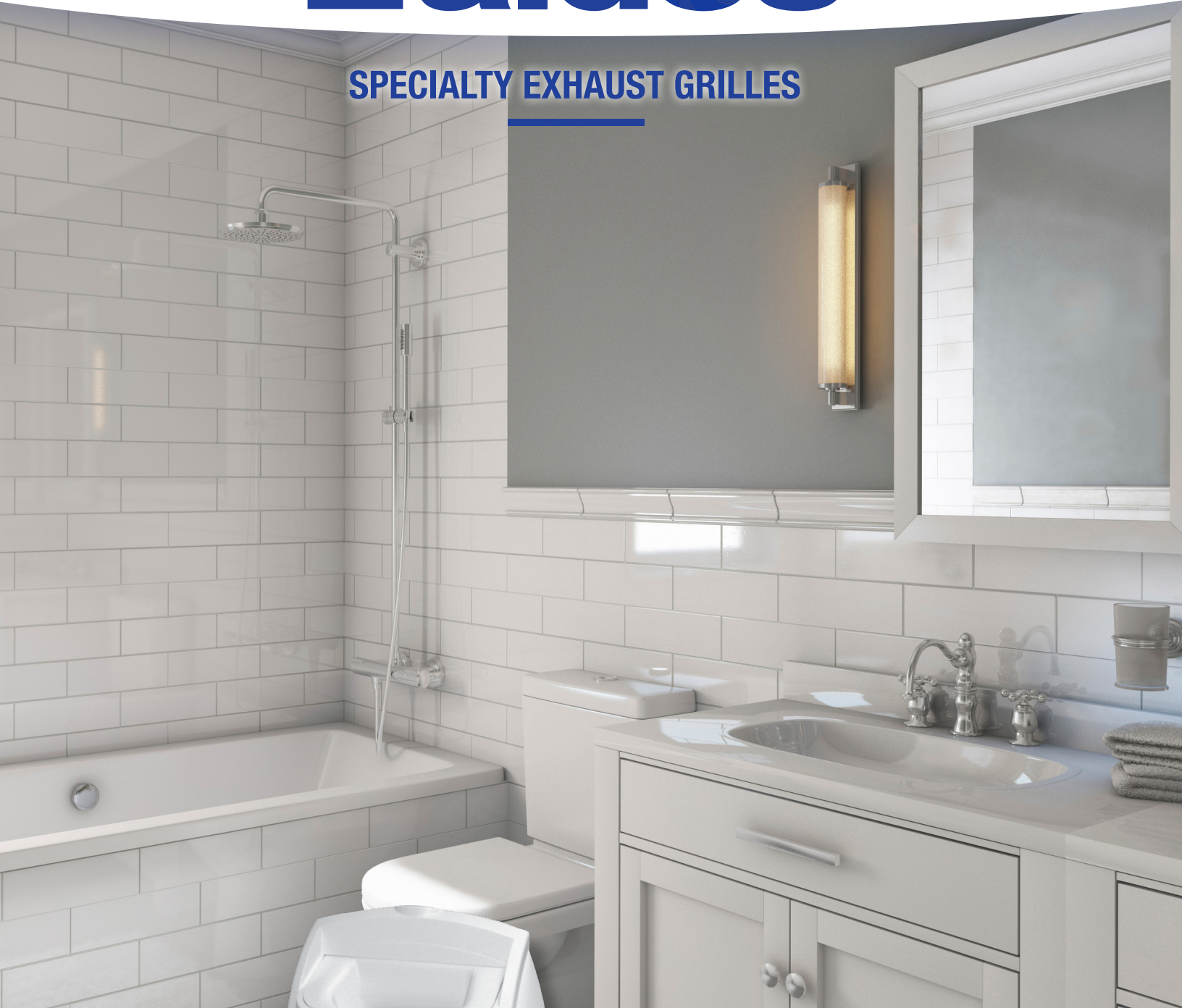




SPECIALTY EXHAUST GRILLES



CEG-II, CEG-II TWIN, AND OSG

SPECIALTY EXHAUST GRILLES

TECHNICAL DOCUMENTATION

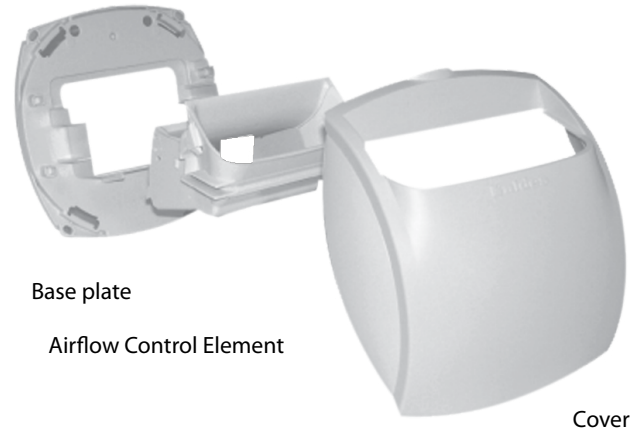
CEG-II and CEG-II Twin

The CEG-II Series is the latest generation of constant exhaust grilles by ALDES. The CEG-II incorporates a modulating orifice that automatically regulates airflows in exhaust duct systems to constant levels. The passive control element responds to duct pressure and requires no electric or pneumatic sensors or controls.

The CEG-II compensates for changes in duct pressure caused by thermal stack effect, building pressure, dust-clogged filters, etc. The CEG-II also provides a low-cost solution to balancing airflows in multiple-point exhaust systems by eliminating the need for on-site damper adjustment.

The active control element of the CEG-II Series is housed in an aesthetically pleasing white molded cover that suits almost any architectural style. The cover and control element are easily removable for cleaning, if necessary. Each CEG-II and CEG-II Twin can be adjusted to three distinct, pre-calibrated airflow settings, making it easy for the contractor or end-user to make on-site adjustments if the ventilation demand changes.

CEG-II



Base plate

Airflow Control Element

Cover

CEG-II Twin



Collar

Airflow Control Element

Cover

Features

- Removable control element for simple maintenance.
- Constructed of UV-resistant ABS plastic.
- Exceptionally quiet performance across the specified pressure range.
- Airflow regulator ensures constant airflow control over pressure range of 0.2 to 0.65 in. w.g. (50 to 160 Pa).
- Fits 5" (125 mm) round ducting or mounts directly over duct opening (depending on model).
- Removable grille held in place by a friction fit for easy access to control element.

CEG-II MODELS

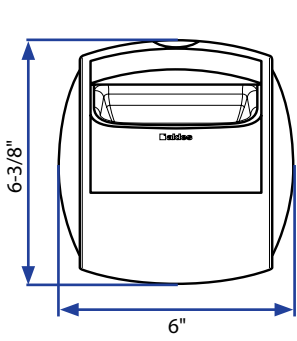
PART NUMBER	DESCRIPTION	AIRFLOW SETTINGS
19 451	CEG-II - 5" Collar	10/20 CFM (15/30 m ³ /h)
19 452	CEG-II - 5" Collar	20/30/40 CFM (30/45/60 m ³ /h)
19 453	CEG-II (Wall Mount)	10/20 CFM (15/30 m ³ /h)
19 454	CEG-II (Wall Mount)	20/30/40 CFM (30/45/60 m ³ /h)
19 455	CEG-II Twin - 5" Collar	40/55/65 CFM (60/75/90 m ³ /h)
19 456	CEG-II Twin - 5" Collar	75/85/95 CFM (100/120/150 m ³ /h)
19 457	CEG-II Twin (Wall Mount)	40/55/65 CFM (60/75/90 m ³ /h)
19 458	CEG-II Twin (Wall Mount)	75/85/95 CFM (100/120/150 m ³ /h)

ACCESSORIES

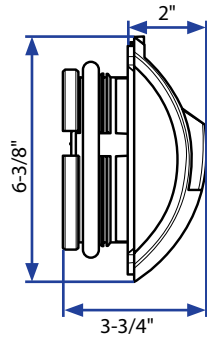
19 460	Wall Adapter Plate (CEG-II or CEG-II Twin)
19 429	Sound-Absorbing Ring Insert

Dimensions

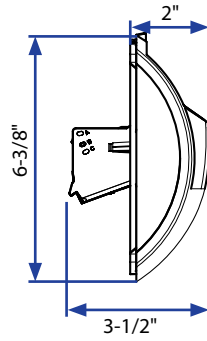
CEG-II



FRONT VIEW

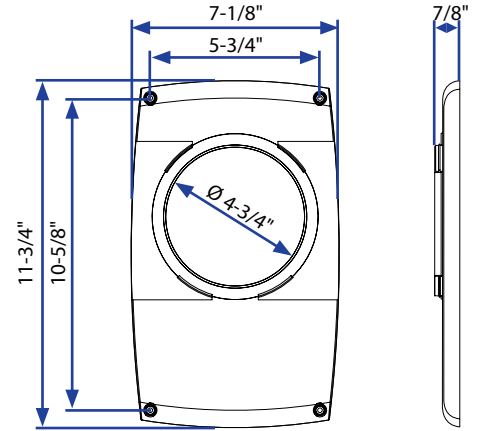


SIDE VIEW (WITH COLLAR)
P/N 19 451 & 19 452

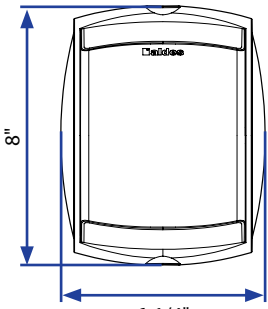


SIDE VIEW (NO COLLAR)
P/N 19 453 & 19 454

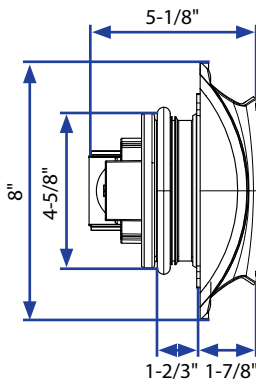
Wall Adapter Plate (P/N 19 460)



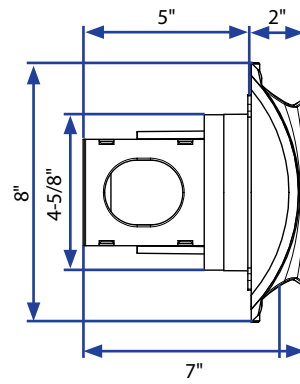
CEG-II Twin



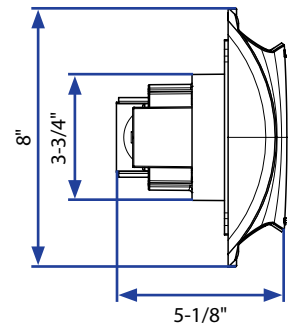
FRONT VIEW



SIDE VIEW (WITH COLLAR)
P/N 19 455

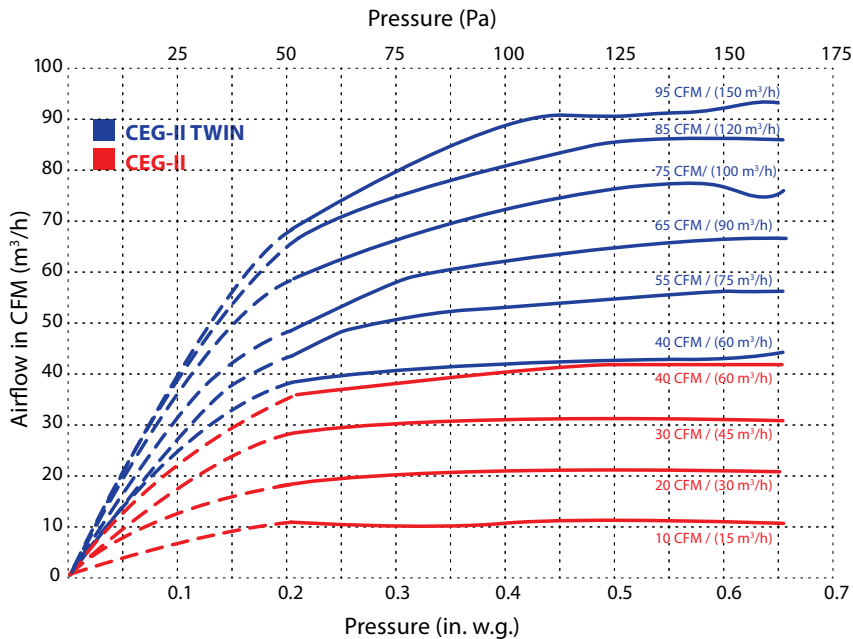


SIDE VIEW (WITH COLLAR)
P/N 19 456



SIDE VIEW (NO COLLAR)
P/N 19 457

Airflow Performance

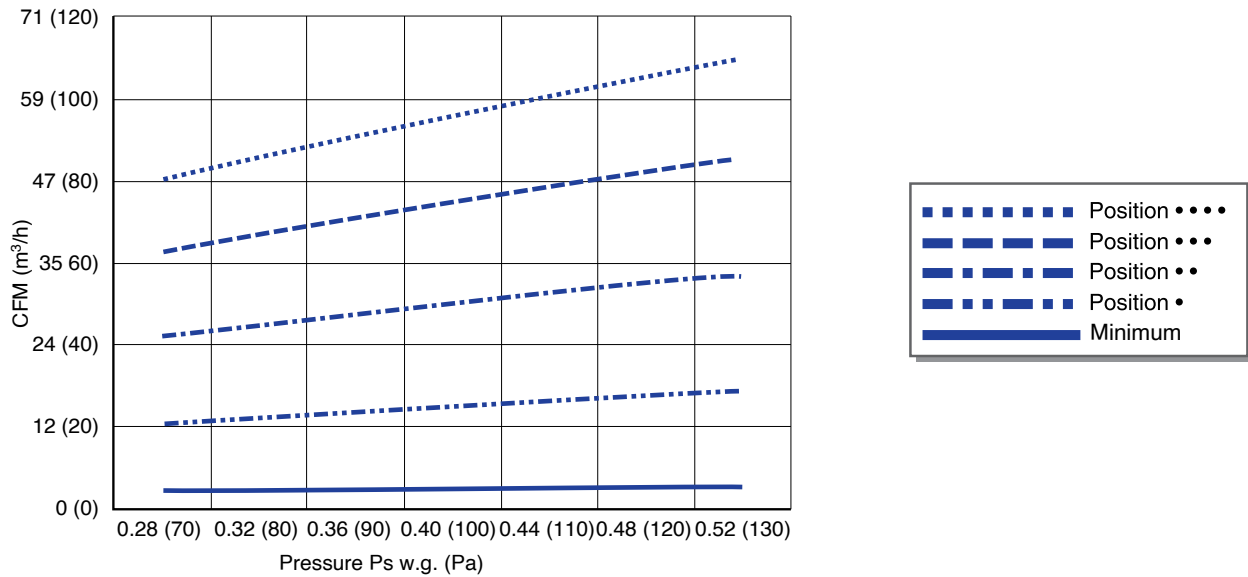


ACOUSTIC PERFORMANCE								
MODEL	AIRFLOW (CFM) *	FREQUENCY (Hz)						OVERALL Lw (dB(A))
		125	250	500	1000	2000	4000	
CEG-II	10	24	25	19	24	16	26	32
	20	25	27	20	23	22	16	31
	30	28	35	25	28	27	22	38
	40	39	40	36	35	36	31	41
CEG-II TWIN	40	43	43	41	41	31	28	43
	55	45	48	45	44	35	30	47
	65	45	50	46	44	37	32	49
	75	47	47	47	43	38	32	48
	85	51	50	49	44	39	34	50
	95	53	52	50	44	41	35	51

* Airflow measured at 0.55 in. w.g. (136 Pa)

The OSG Occupancy-Sensing Grille is a stand-alone terminal that automatically boosts the exhaust airflow when a room is occupied. A lens detects movement and triggers circuit opening (instantaneous) and closing (after a 20-minute time out). During installation, the grille is manually set for a boost flow rate of 15, 30, 45, or 60 CFM. The minimum airflow rate is 3-5 CFM when the space is unoccupied.

Airflow Performance



Features

- Basic flow rate manually adjustable by the switch: 15, 30, 45 or 60 CFM.
- Flow rate automatically reduced to 3-5 CFM when the room is unoccupied.
- Airflow rates are based on 0.40 in. w.g. (100 Pa).
- The OSG operating range is from 0.28-0.52 in. w.g (70-130 Pa). Under these usage conditions, the relative variation of the flow at each ventilation orifice is limited to 15%.
- Manually adjustable maximum airflow setpoints based on the switch table.

Switch

A switch allows the user to set the basic airflow according to the standard occupancy level of the room.

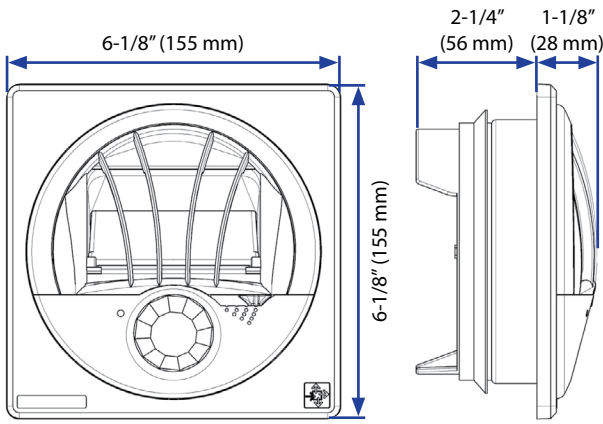


Switch

Switch Position	Corresponding Flow Rate
•	15 CFM
••	30 CFM
•••	45 CFM
••••	60 CFM

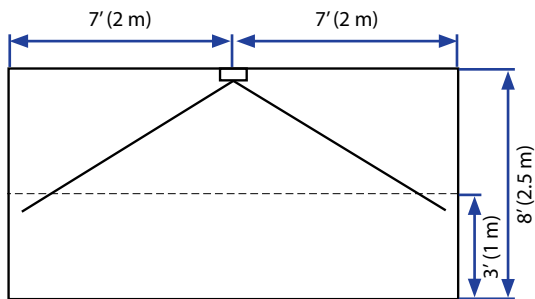
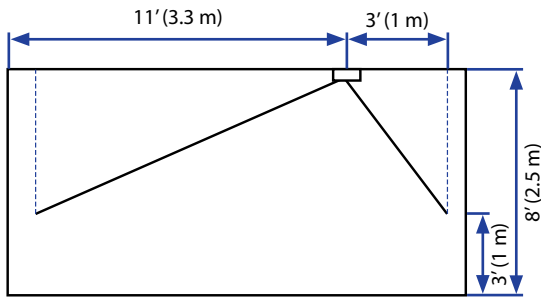
ACOUSTIC PROPERTIES				
Duct Pressure	Decibels (dB)			
	Switch Position			
	•	••	•••	••••
0.4" in.w.g (100 Pa)	30	30.3	32.2	33.3

Dimensions

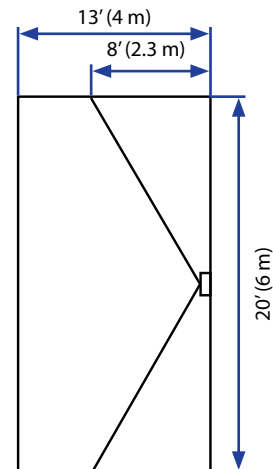
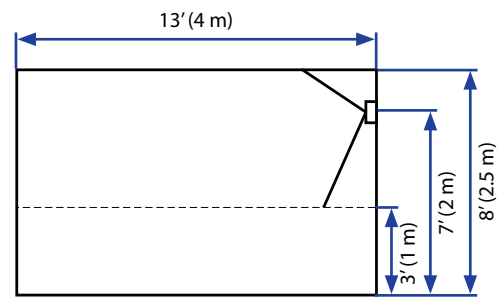


FIELD OF DETECTION

Ceiling Mounted



Wall Mounted



OSG MODELS

Part Number	Model	Timer	Power Supply	Connection to Relay	Type of Relay (Not Included)
17 105	OSG-9V	20-minute	Connector for standard 9V alkaline 6LR61 battery (battery supplied)	--	--
17 106	OSG-12V	20-minute	12 VAC (black cable)	--	--
17 126	OSG-12V+	20-minute	12 VAC (black cable)	Cable for relay (gray cable)	6V DC relay, coil current, 100mA max.
17 107	OSG-F	--	--	--	--

ACCESSORIES

17 110	12 VAC Transformer, 12 VAC Fuse
--------	---------------------------------



For more information, contact your
Aldes sales advisor, visit aldes-na.com,
or find us on



Aldes North America
USA 800.255.7749 CAN 800.262.0916

0722 - Specialty Exhaust Grilles Brochure
©2022 American ALDES Ventilation Corporation and ALDES Canada. All Rights Reserved.
Reproduction or distribution, in whole or in part, of this document, in any form or by any means, without the express written consent of American ALDES Ventilation Corporation and/or ALDES Canada, is strictly prohibited.
The information contained within this document is subject to change without prior written notice.

