



InspirAIR® COMMERCIAL

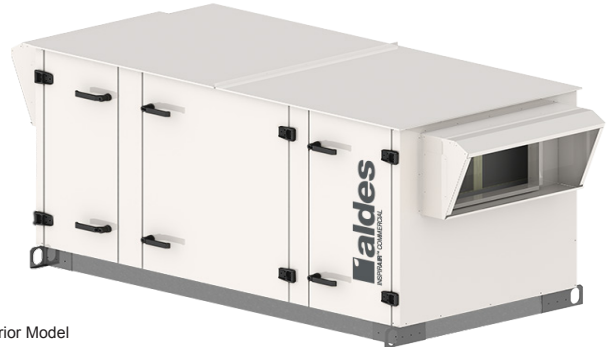
PE30

Energy Recovery Ventilator

PRODUCT
SPECIFICATIONS
& TECHNICAL
DATA



*Interior Model



*Exterior Model

NOMINAL CAPACITY

1000 - 3000 CFM

PLATE EXCHANGER

High Latent Transfer (sensible and latent heat transfer)

CASING

(Standard)

- Double-wall cabinet
- 22-gauge galvanized steel interior and exterior
- Access doors with quarter-turn handles
- 22-gauge galvanized steel drain pan
- Drain Connections: 1" (25 mm) NPT
- Insulation: 1" (25 mm)

(Optional)

- Painted white baked enamel outside finish
- Supply and exhaust hoods with bird screens

MOUNTING (Standard)

- Standard Platform
- 18-gauge galvanized roof curb (insulation optional)

FROST PREVENTION/CONTROL (Optional)

See page 2 for details

ELECTRICAL & CONTROLS (Standard)

- 24 V double motor contactor with start-stop dry contact
- Non-fused disconnect (NEMA 4)
- 24 V transformer for controls
- Single point power

ELECTRICAL

- Non-Fused disconnect
 - » Optional Fused disconnect
- 24 VAC, 20 VA power available for accessories

WARRANTY

- Core Assembly: Limited 2-year
- All Other Covered Components: Limited 2-year

FILTERS

(Standard)

Quantity: 4 supply, 4 exhaust

Type: MERV 8

Dimensions: 16" x 20" x 2" (407 mm x 508 mm x 305 mm)

(Optional)

MERV 13 Filters (substitute on supply air circuit only)

BLOWERS & MOTORS

(Standard Options)

Blowers:

- Quantity: 2
- Forward-curved
- Permanently sealed and lubricated ball bearings
- Power transmission by adjustable pulleys and belts

Motors:

- Type: Inverter duty 10:1
- Maximum Power: 5 HP
- Available Voltages:
 - » 208, 230 V / 1ph / 60Hz
 - » 208, 230, 460, 575 V / 3ph / 60Hz

VARIABLE SPEED (Optional)

VFD:

- Quantity: 2 (1 per air stream)
- Blower Type: ODP or TEFC
- Permanently sealed and lubricated ball bearings

ECM:

- Quantity: 2 (1 per air stream)
- Plenum Type: Backward Inclined
- Permanently sealed and lubricated ball bearings
- Direct Drive
- Available Voltages:
 - » 208, 230, 460, 575 V / 3ph / 60Hz

BYPASS DAMPER (Optional)

Internal Face and Bypass Damper:

- Fresh air bypass (Free Cooling)

PE30 Features (Continued)

FROST PREVENTION/CONTROL (Optional)

If no defrost mode is selected, it is the customer's responsibility to protect the core from freezing as needed.

Frost control activated by a temperature reference:
14°F (-10°C)

Internal Pre-Heat by Electric Coil:

- Powered by unit, SSR control (not available with 120 V)

Internal Pre-Heat by Hot Water Coil:

- 0-10 V signal on the control panel
- Piping connections under unit

Internal Face and Bypass Damper:

- Fresh air bypass

Exhaust Defrost:

- Supply air blower shuts down and outside air damper closes. Warm exhaust air defrosts the core until it is free of obstruction.
- Includes motorized and insulated damper on fresh air intake (OA)

Recirculation Defrost:

- Exhaust air blower shuts down, outside air damper closes, exhaust air damper (optional) closes, and recirculation damper (included) opens. Warm exhaust air defrosts the core for a predetermined amount of time (see table at right).
- Includes motorized and insulated damper on fresh air intake (OA)

POST-HEAT COILS

Post-Heat by Electric Coil:

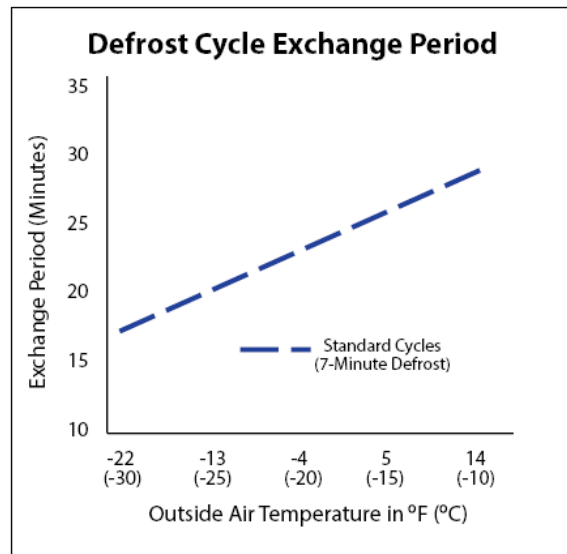
- Powered by unit, SSR control (not available with 120 V)
- 0-10VDC signal to maintain supply air temperature or 0-10VDC signal by others

Post-Heat by Hot Water Coil:

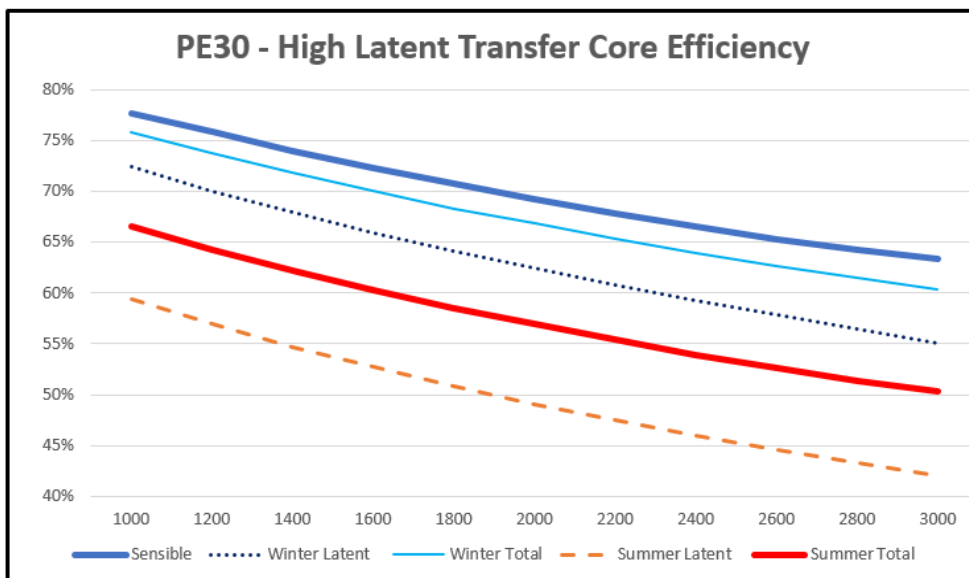
- 0-10VDC signal to maintain supply air temperature or 0-10VDC signal by others

OPTIONAL COMPONENTS

- Motorized and insulated damper for exhaust port (EA)
- Non-insulated backdraft damper for exhaust port (EA)
- Motorized and insulated damper on fresh air intake (OA) (included with exhaust and recirculation defrost)



High Latent Transfer Core Performance

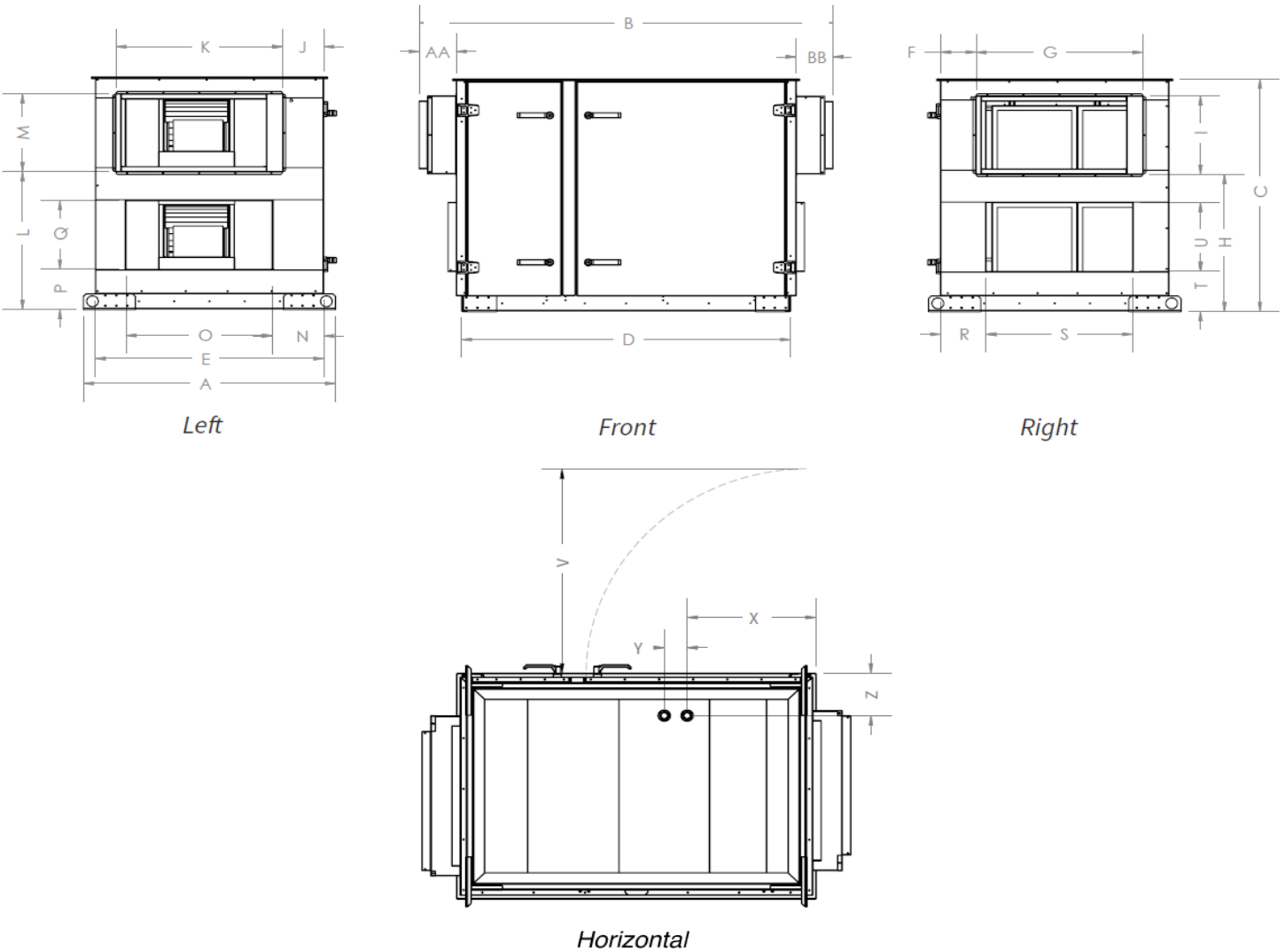


AHRI STANDARD CONDITIONS	CONDITIONS	
	Winter	Summer
Outside Air Temperature		
Dry Bulb	35°F (1.7°C)	95°F (35°C)
Wet Bulb	33°F (0.6°C)	78°F (25.6°C)
Exhaust Air Temperature		
Dry Bulb	70°F (21.1°C)	75°F (23.9°C)
Wet Bulb	58°F (14.4°C)	63°F (17.2°C)

Note: Efficiencies are based on AHRI standard conditions.

PE30 Indoor Units Dimensions (Standard - inches)

Indoor Units



Dimension with Options (inches)												
A		B			C	D			E		F	
Overall	Bypass	Overall	1 Extension	2 Extensions		Overall	1 Extension	2 Extensions	Overall	Bypass	Overall	Bypass
54.25	70	76.5	108.5	120.75	55.75	71.5	91.5	111.5	47.25	63	5.5	13.25
G	H	I	J		K	L	M	N		O	P	Q
			Overall	Bypass				Overall	Bypass			
36.5	33.75	17.25	8.25	13.25	36.5	34.75	17.25	8.5	13.25	36.5	8.5	17.25
R		S	T	U	V	W	X	Y	Z	AA	BB	
Overall	Bypass											
5.5	13.25	36.5	8.5	17.25	40	N/A	24.25	4	6	7.5	7.5	

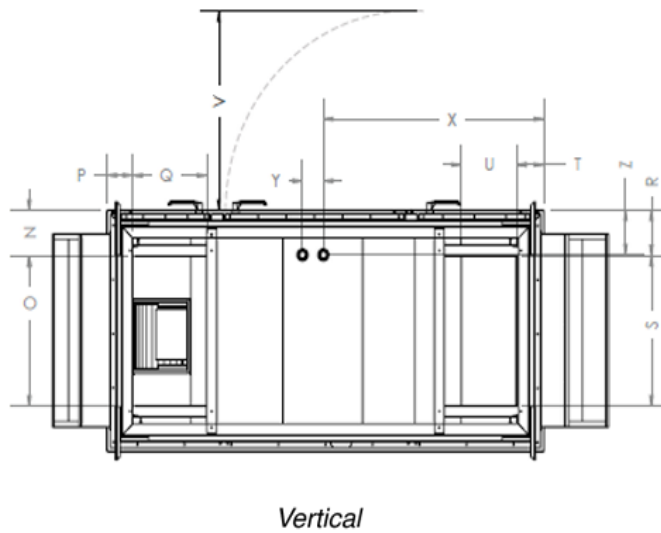
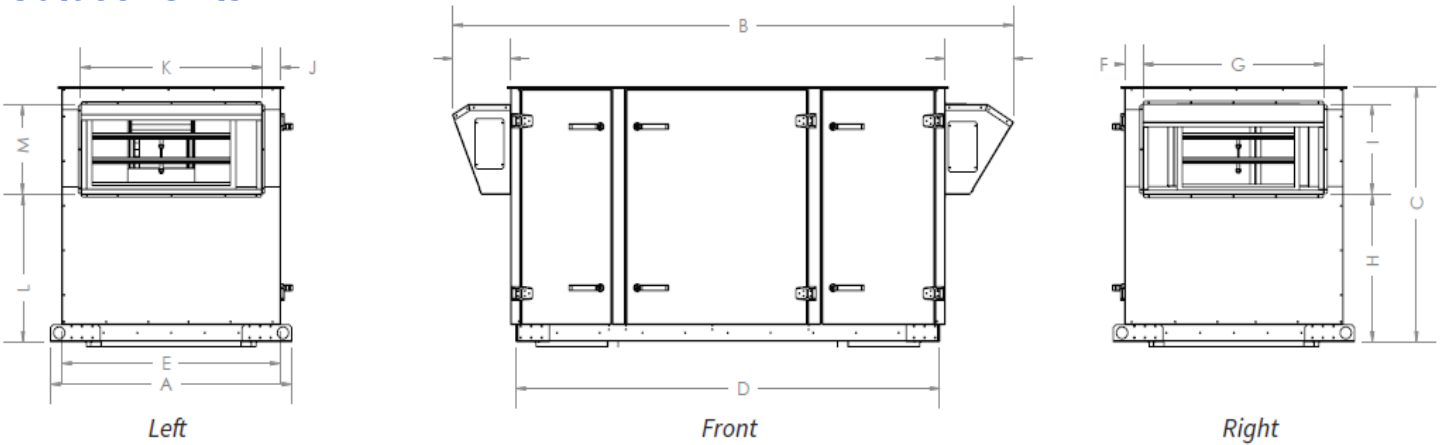
* Extensions are used when adding a Pre-heat coil, Post-heat coil, or Vertical Duct Connections

Examples:

- * Pre-heat coil = 1 extension
- * Post-heat coil = 1 extension
- * Vertical Duct Connection = 1 extension
- * Pre-heat + Post-heat = 2 extensions
- * Pre-heat + Vertical Duct Connection = 2 extensions
- * Post-heat + Vertical Duct Connection = 2 extensions
- * Pre-heat + Post-heat + Vertical Duct Connection = 2 extensions

PE30 Outdoor Units Dimensions (Standard - inches)

Outdoor Units



Dimension with Options (inches)												
A		B			C	D			E		F	
Overall	Bypass	1 Extension	2 Extensions	Overall		1 Extension	2 Extensions	Overall	Bypass	Overall	Bypass	
54.25	70	115.75	135.75	55.75	71.5	91.5	111.5	47.25	63	1	8.75	
G	H	I	J		K	L	M	N		O		P
			Overall	Bypass				Overall	Bypass	Overall	Bypass	
44	32.5	19.75	2.75	8.75	44	32.5	19.75	9	11.5	34.75	40	4.25
Q	R		S	T	U	V	W	X	Y	Z	AA	BB
	Overall	Bypass										
15	3.75	11.5	40	4.25	15	40	N/A	24.25	4	6	11	11

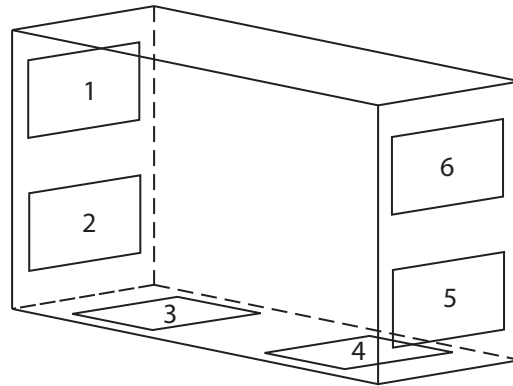
* Extensions are used when adding a Pre-heat coil, Post-heat coil, or Vertical Duct Connections

Examples:

- * Pre-heat coil = 1 extension
- * Post-heat coil = 1 extension
- * Vertical Duct Connection = 1 extension
- * Pre-heat + Post-heat = 2 extensions
- * Pre-heat + Vertical Duct Connection = 2 extensions
- * Post-heat + Vertical Duct Connection = 2 extensions
- * Pre-heat + Post-heat + Vertical Duct Connection = 2 extensions

PE30 Configurations & Weights

AVAILABLE CONFIGURATIONS*
1-2-5-6
1-3-5-6
1-2-4-6
1-3-4-6



DUCT CONNECTION KEY	
1	Exhaust Air (EA)
2, 3	Supply Air (SA)
4, 5	Return Air (RA)
6	Outside Air (OA)

*Mirror Image Cabinet Also Available

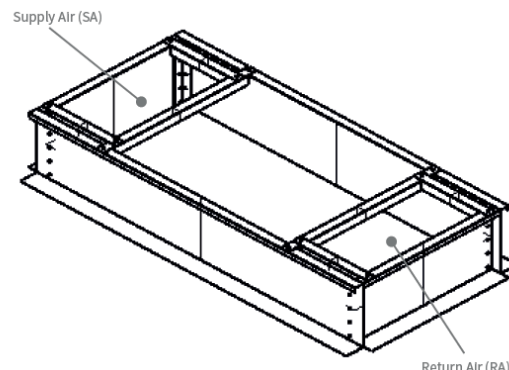
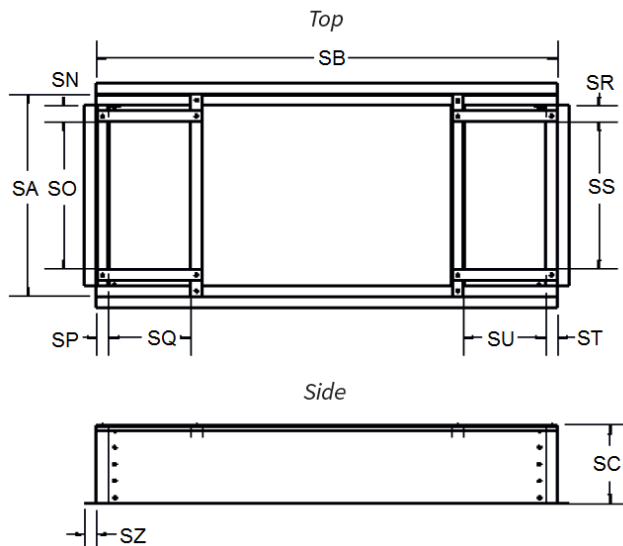
PE15 WEIGHTS & DIMENSIONS †	
Core Type	High Latent Transfer
Minimum Unit Weight	1000 lbs (454 kg)
Maximum Unit Weight	2400 lbs (1089 kg)
Minimum Shipping Weight	1100 lbs (499 kg)
Maximum Shipping Weight	3000 lbs (1360 kg)

† Actual weight may vary by ±10%.

PE30 Roof Curb Dimensions - inches

Dimensions with Options (inches)												
	SA	SB*	SC	SN	SO	SP	SQ	SR	SS	ST	SU	SZ
PE30	44.75	89	14	7.75	34.75	3	15	2.5	40	3	15	2
PE30 w/ Bypass	60.5	89	14	11.75	40	3	15	11.75	40	3	15	2

* Add 20" to width of Roof Curb for each extension



MODEL: PE30
SERIES: InspirAIR® Commercial
NOMINAL CAPACITY: 1000-3000

Standard Feature
 Optional Feature
(check the box to select this option)

REMEMBER TO: Send your completed selection to your American ALDES Representative.

UNIT

CABINET FINISH

- Galvanized
- Painted

DUCT CONFIGURATION

- 1-2-5-6 (Indoor Unit)
- 1-3-5-6
- 1-2-4-6
- 1-3-4-6 (Outdoor Unit)

CONFIGURATION OPTIONS

- None (Indoor Unit)
- Rooftop Installation (Outdoor Unit)
- Mirror Configuration*
(*Doors are located to the opposite side)

FROST CONTROL

- None
- Exhaust Defrost
- Recirculation Defrost
- Face & Bypass
- Pre-Heat (Electrical Coil)
- Pre-Heat (Hot Water Coil)

HEATING OPTIONS

- None
- Post-Heat (Electrical Coil)
- Post-Heat (Hot Water Coil)

BLOWERS & MOTORS

MOTOR TYPE

- ODP
- TEFC

SPEED

- Single Speed
- ECM
- VFD

FILTERS

- MERV 8
- MERV 13

ELECTRICAL REQUIREMENTS

- 208V/1ph/60Hz
- 230V/1ph/60Hz
- 208V/3ph/60Hz
- 230V/3ph/60Hz
- 460V/3ph/60Hz
- 575V/3ph/60Hz

DISCONNECT

- Non-fused
- Fused

OPTIONAL ADD-ONS

- Motorized & Insulated Damper for OA
- Motorized & Insulated Damper for EA
- Non-Insulated Backdraft Damper for EA
- 24 VAC, 10 VA Terminals for OA and/or EA Dampers by Others
- 24 VAC, 20 VA Power Available for Accessories by Others
- Spare Filters QTY: _____
- Spare Belts QTY: _____
- Remote Display Panel
- Low Temperature Limit
- Low Airflow Limit Switch
- Dry Contact For Dirty Filter Alarm
- BacNET IP Controller
- BacNET MSTP Controller
- Phase-Loss Detection
- Carbon Dioxide Detection
- Relative Humidity Detection
- Free Cooling Management
- Independent Motor Management
- MERV 13 Filter Set (Replacement Filter)
- MERV 8 Filter Set (Spare Filter Set)
- Bypass Damper
- Programmable Timer