



MOTORIZED DAMPERS

WITH END SWITCH

AIRFLOW & ZONE CONTROL

IOM

READ AND SAVE THESE INSTRUCTIONS



Damper Wiring Identification

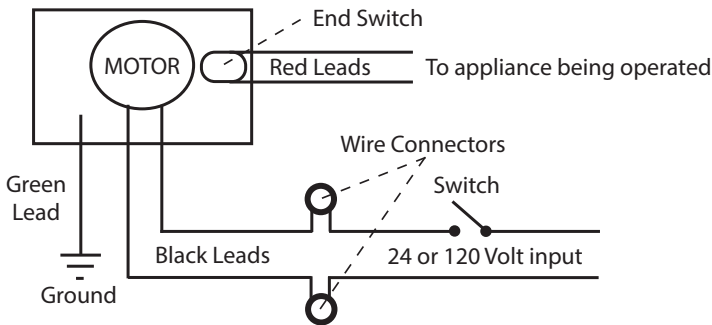
24 VAC and 120 VAC Round Damper Wiring Instructions

Important: Always wire according to local codes.

Black Leads: 24 or 120 Volt input

Green Lead: Ground (120V models)

Red Leads: 24 or 120 Volt



To Remove/Install Motor Cover (120 V only)

- To remove cover, press in and lift up on end of motor cover with wire hole.
- To install motor cover, place tab on solid end of cover into small slot in motor mount. Swing cover over motor and slip second tab into larger slot.

Flow Control Adjustment

MINIMUM FLOW ADJUSTMENT

Minimum airflow can be set by loosening the bolt on the shaft and turning the damper from the fully closed position to leave a gap between the gasket and the damper blade. Re-tighten the bolt with the damper at the desired opening.

- Damper Motor carries C-UL-US Component Recognition Mark.

Warranty

Product guaranteed to be free of defective material or workmanship for a period of one (1) year from the date of delivery.

For more information, contact your Aldes sales advisor, visit aldes-na.com, call 1.800.255.7749, or find us on

