

MOTORIZED DAMPERS

PRODUCT BROCHURE



MOTORIZED DAMPERS

EASY TO INSTALL

#HealthyLiving



PRODUCT DESCRIPTION



ORDERING INFORMATION

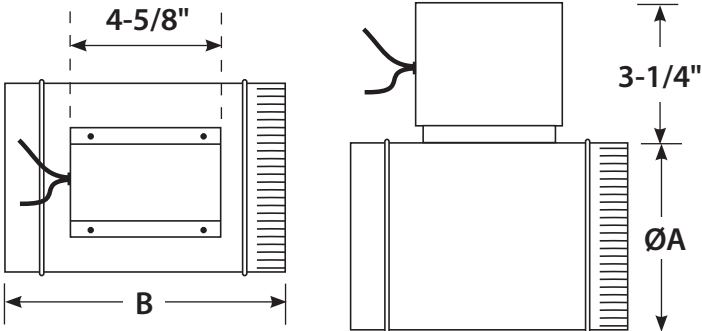
MODEL	VOLTAGE	END SWITCH	DAMPER NORMALLY CLOSED (Part Number)	DAMPER NORMALLY OPEN (Part Number)
MD4"	24 V	Yes	#23 037NCES	#23 037 NOES
MD4"	120 V	Yes	#23 038NCES	#23 038 NOES
MD5"	24 V	Yes	#23 039NCES	#23 039 NOES
MD5"	120 V	Yes	#23 043NCES	#23 043 NOES
MD6"	24 V	Yes	#23 040NCES	#23 040 NOES
MD6"	120 V	Yes	#23 041NCES	#23 041 NOES
MD8"	24 V	Yes	#23 044NCES	#23 044 NOES
MD8"	120 V	Yes	#23 045NCES	#23 045 NOES
MD10"	24 V	Yes	#23 046NCES	#23 046 NOES
MD10"	120 V	Yes	#23 047NCES	#23 047 NOES
MD12"	24 V	Yes	#23 048NCES	#23 048 NOES
MD12"	120 V	Yes	#23 049NCES	#23 049 NOES
MD14"	24 V	Yes	#23 050NCES	#23 050 NOES
MD14"	120 V	Yes	#23 051NCES	#23 051 NOES

- Normally closed (standard) and normally open models available (24 VAC or 120 VAC).
- All models include an end switch rated for a 10 Amp load.
- The end switch permits sequencing the operation of a remote fan after damper is opened, enabling the use of remote fans to selectively ventilate laundry rooms, kitchens, or individual bathrooms.
- Possible controls for use with zoned ventilation systems include: Manual spring-wound time delay, electronic time delay, cycle timer, programmable timers, occupancy-and-humidity-sensing switches.
- Motorized dampers can also be used to control the sequencing of outside fresh or make-up air in forced-air systems.
- Damper Motor carries C-UL-US Component Recognition Mark.

WARRANTY

Product guaranteed to be free of defective material or workmanship for a period of one (1) year from the date of delivery.

DIMENSIONAL DATA



MOTORIZED DAMPER SIZE							
	4"	5"	6"	8"	10"	12"	14"
ØA	4"	5"	6"	8"	10"	12"	14"
B	6"	6"	6"	8"	10"	12"	14"

DAMPER WIRING IDENTIFICATION

24 and 120 VAC Round Damper Wiring Instructions Important: Always wire according to local codes.

Damper Wiring Identification

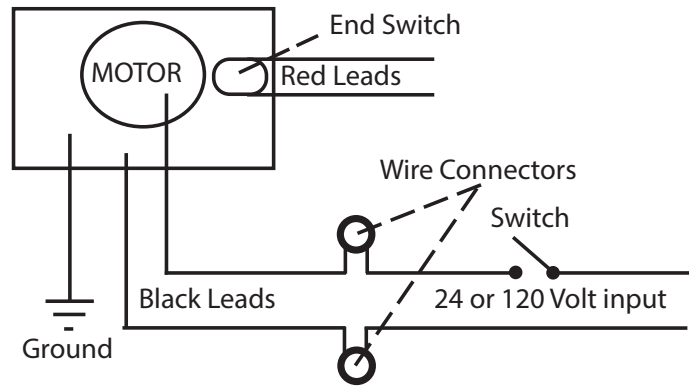
Black Leads: 24 or 120 Volt input

Green Lead: Ground

Red Leads: (If equipped with end switch) 24 or 120 Volt, 10 amps

To Remove/Install Motor Cover (120 V only)

- To remove cover, press in and lift up on end of motor cover with wire hole.
- To install motor cover, place tab on solid end of cover into small slot in motor mount. Swing cover over motor and slip second tab into larger slot.



FLOW CONTROL ADJUSTMENT

MINIMUM FLOW ADJUSTMENT Minimum airflow can be set by loosening the bolt on the shaft and turning the damper from the fully closed position to leave a gap between the gasket and the damper blade. Re-tighten the bolt with the damper at the desired opening.

MAXIMUM FLOW ADJUSTMENT (Available only on models without end switch) Maximum airflow can be set by loosening the flow control adjustment bolt. When set, this bolt acts as a stop, limiting the opening of the damper blade. It is pre-set at the factory to open fully. To adjust, loosen the bolt lock nut, turn the adjusting bolt to the desired setting, and re-tighten the bolt lock nut. Activate the motor after each adjustment to properly reset the motor and damper blade.

#HealthyLiving

Engineering tomorrow's solutions is more than an idea – it is a guiding principle. Every Aldes product provides equal parts innovation and experience. Efficient and respectful solutions of the environment which renew and purify the indoor air delivering improved air quality. From automatic airflow controls to advanced heat and energy recovery ventilators, Aldes products can be found in high-performing homes, schools, hotels and buildings across North America. Healthy Living is much more than a movement, embodies our benevolence and our sense of responsibility with a pioneering spirit.



For more information, contact your
Aldes sales advisor, visit aldes-na.com,
or find us on



Aldes North America
USA 800.255.7749 CAN 800.262.0916

02/21 - Motorized Damper Brochure.
©2021 American ALDES Ventilation Corporation and ALDES Canada. All Rights Reserved.
Reproduction or distribution, in whole or in part, of this document, in any form or by any means, without the express written consent of American ALDES Ventilation Corporation and/or ALDES Canada, is strictly prohibited.
The information contained within this document is subject to change without prior written notice.

