



# VENTERGY® IAQ-MPVS

## MULTI-PORT CONTINUOUS EXHAUST EXPANSION KIT

RESIDENTIAL SYSTEM SOLUTIONS

IOM

### Product Description

ALDES North America Ventergy® Series IAQ-MPVS Expansion Kit is used for one additional bathroom. Each IAQ-MPVS Expansion Kit contains 1 set of collar components, 1 CAR Classic, 1 Deco Grille, and 1 Universal Sleeve with "L" bracket. Up to 2 expansion kits can be added to each IAQ-MPVS Kit.



3" CAR Classic



3" Deco Grille



3" Universal Sleeve with L Bracket



3" Collar Components

For more information, contact your Aldes sales advisor, visit [aldes-na.com](http://aldes-na.com), call 1.800.255.7749, or find us on





# 3" CAR CLASSIC

## CONSTANT AIRFLOW REGULATOR

AIRFLOW & ZONE CONTROL **IOM**

### READ AND SAVE THESE INSTRUCTIONS

## Maintenance

In most cases the CAR requires no regular maintenance. If it is installed in an exhaust duct system without filtration, it is advisable to provide a means of access for inspection and cleaning. If cleaning is desired, remove and clean with warm soapy water, dry, and reinstall in the duct.

## Adjustment of Airflows

The CAR is provided with factory-preset airflows. If it is necessary to make adjustment to the calibrated airflow value, contact the factory for assistance.

## Warranty

Guaranteed for five (5) years, from date of shipment, against all defects in material or workmanship, provided that the material has been installed and used under normal conditions. This warranty is limited to the repair or replacement of the material.

## Principal of Operation

The CAR is an airflow control device that automatically responds to changes in duct pressure in order to regulate airflow at a constant rate. A damper mechanism within each CAR-II controls the net free area through the device in order to maintain constant velocity and net airflow rates.

## Installation

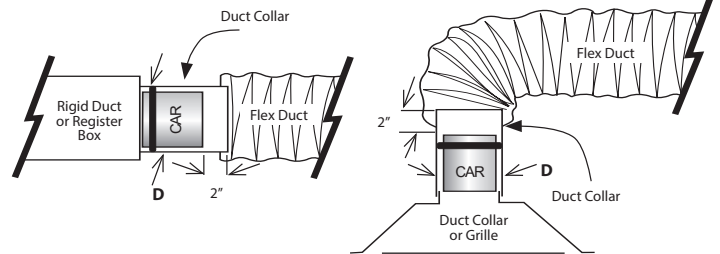
The CAR is designed for installation in rigid ducts, duct collars, or register boxes without the use of screws or any other mechanical fixing device. The perimeter gasket provides a seal to grip the interior of the duct in which the unit is installed. It may be installed in vertical or horizontal ducting. When installed in horizontal ducting, the CAR must be installed with the base downward.

The CAR should be installed in accordance with all applicable building and mechanical codes. If installed in a metal duct or duct collar with a flexible duct connector (listed to UL 181), the CAR must be inserted at least 2 inches from the flexible duct and/or duct connector (See **Figure 1**). The CAR should always be installed so as to be accessible for inspection and removal, if necessary. To prevent potential damage and loss of operation, avoid the use of screws, rivets, or other mechanical fasteners in the specific area of duct where the CAR is installed.

## Troubleshooting

PROBLEM	CAUSE	SOLUTION
AIRFLOW TOO LOW	Insufficient duct pressure	Check fan ratings. Replace fan if too small. Increase fan speed
	Excessive duct air leakage	Seal ducts with mastic or tape
	Incorrect CAR installed	Check CFM calibration on CAR label. Replace with proper CAR
	CAR damper not functioning properly	Check CAR for damage and replace.
AIRFLOW TOO HIGH AND/OR NOISY OPERATION	CAR too close to fan	Add manual damper to reduce pressure across CAR to normal operating range.
	Fan at too high a speed	Lower fan speed.
	Incorrect CAR installed	Check CFM calibration on CAR label. Replace with proper CAR
	CAR damper not functioning properly	Check CAR for damage and replace.

FIGURE 1



For more information, contact your Aldes sales advisor, visit [aldes-na.com](http://aldes-na.com), call 1.800.255.7749, or find us on

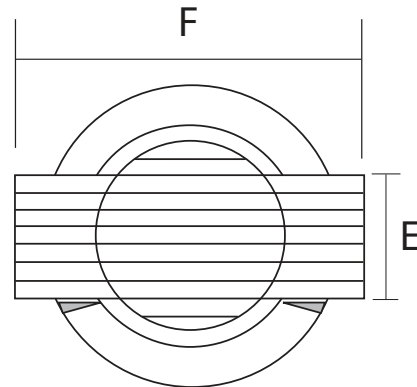
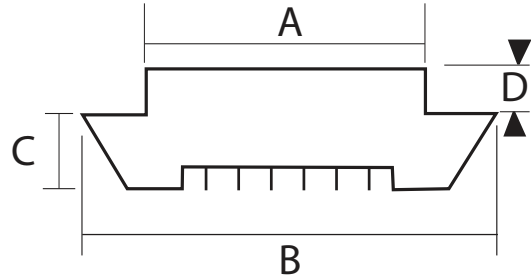




# DECO GRILLES

## WHITE PLASTIC GRILLES

ROOF CAPS, WALL HOODS, GRILLES  
& DUCT FITTINGS



### Dimensional Data

PART NUMBER	SIZE	DESCRIPTION	A	B	C	D	E	F
22 073	3"	White Plastic ABS Grille	3"	4-3/4"	1/2"	5/8"	1-7/8"	4-3/4"
22 079	4"	White Plastic ABS Grille	3-7/8"	5-3/4"	11/16"	1"	2-1/2"	6-1/4"
22 078	5"	White Plastic ABS Grille	4-7/8"	6-1/2"	5/8"	1-1/4"	3-1/8"	7-3/4"

For more information, contact your Aldes sales advisor, visit [aldes-na.com](http://aldes-na.com), call 1.800.255.7749, or find us on

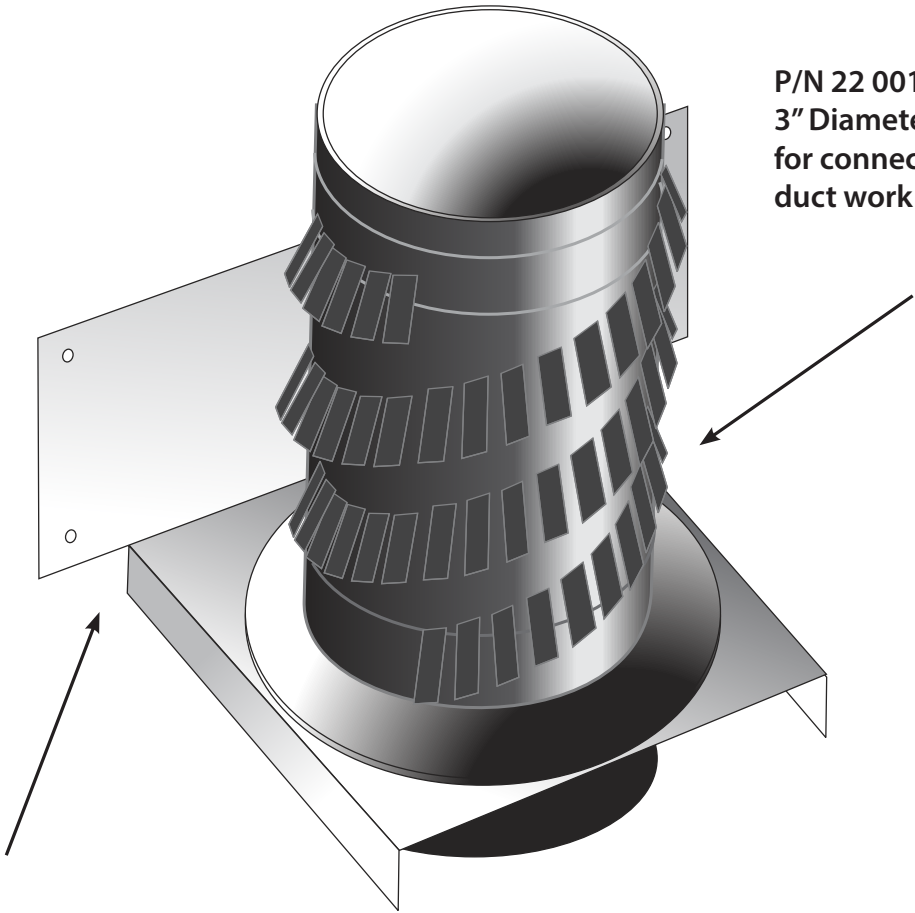




# MOUNTING SLEEVE

## WITH CEILING-MOUNT BRACKET

ROOF CAPS, WALL HOODS, GRILLES  
& DUCT FITTINGS



**P/N 22 001:**  
3" Diameter Mounting Sleeve  
for connecting grille to flexible  
duct work

**P/N 54 020:**  
3" Ceiling-Mount Bracket  
enables ceiling rough-in when  
used with mounting sleeve

For more information, contact your Aldes sales advisor, visit [aldes-na.com](http://aldes-na.com), call 1.800.255.7749, or find us on

