

HIGH-PERFORMANCE WALL HOODS

WITH SCREENS OR GRAVITY DAMPERS

ROOF CAPS, WALL HOODS, GRILLES & DUCT FITTINGS

Product Description

Aldes High-Performance Wall Hoods are designed for use in exhaust or supply ventilation systems and fresh air kits. They are engineered to accommodate high airflow pressure and velocities found in premium fan and dryer vent systems. Wall hoods are available as screened or dampered versions. Each wall hood is designed to maximize airflow and minimize noise.

Construction

Wall Hoods are available in heavy-gauge G90 galvanized steel.

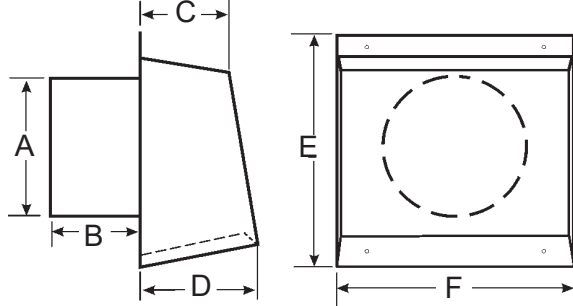
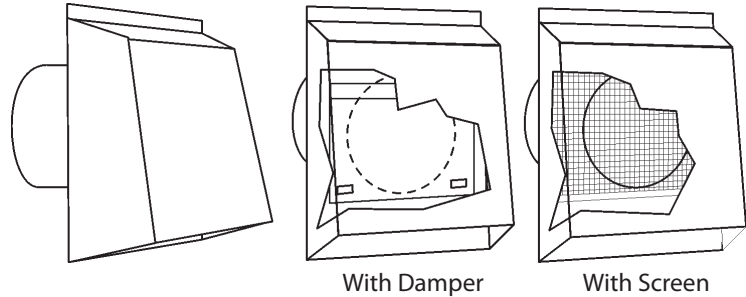
Screened Wall Hoods

1/4" galvanized steel mesh. Suitable for use in exhaust or supply ventilation systems and fresh-air kits.

Dampered Wall Hoods

For use in exhaust ventilation and dryer venting systems. A magnetic-catch damper ensures a tight closure when the fan is not running and eliminates damper flutter in windy conditions. These hoods should be used when backdraft dampers are not present at other locations within the duct system.

Dimensions



MODEL	Galvanized**		Dimensions					
	Dampered*	Screened	A	B	C	D	E	F
Size	P/N	P/N	A	B	C	D	E	F
4"	22 404	22 304	4"	3"	3.0"	4.5"	8"	6"
5"	22 405	22 305	5"	3"	3.0"	5.0"	9"	8"
6"	22 406	22 306	6"	3"	4.0"	6.0"	10"	9"
8"	22 408	22 308	8"	3"	5.0"	8.0"	12"	11"
10"	22 410	22 310	10"	3"	6.5"	10.0"	14"	13"
12"	22 412	22 312	12"	3"	8.5"	12.0"	16"	15"

*For wall hoods with screens and backdraft dampers, add backdraft damper to screen model.

**Galvanized Steel Items (4" to 8" are 26 gauge; 10" and 12" are 24-gauge).

Materials: Galvanized Steel G-90. Damper: Aluminum sheet, 0.020"

For more information, contact your Aldes sales advisor, visit aldes-na.com, call 1.800.255.7749, or find us on

