

Intertek
C22.2 no113
UL 1812

LIGHT COMMERCIAL SERIES

HRV

H650-Fi-EC-N & H650A-Fi-EC-N

Heat Recovery Ventilator
660 CFM at 0.4 in.w.g (ESP)



CORE OTHER PARTS

PRODUCT DESCRIPTION

The H650-Fi-EC-N (polypropylene core) and H650A-Fi-EC-N (aluminum core) heat recovery ventilator provides up to 660 cubic feet per minute (310 L/s) of fresh outdoor air while exhausting an equivalent amount of stale indoor air, creating a well-balanced ventilation system. The highly efficient and quiet variable-speed EC motors use on average 80% less electricity of the H650-Fi-N and H650A-Fi-N at low speed, significantly increasing return on investment.

These ventilators are recommended for smaller non-residential spaces or dedicated zones within larger buildings such as classrooms, common areas of residential complexes and indoor parking garages.

Designed for versatile indoor installation, Aldes light commercial ventilators can fit almost anywhere and still provide easy access to the internal components for quick maintenance. The units also offer a choice of five continuous operation speeds and a demand-controlled high speed exchange mode.

KEY FEATURES

Electronically and independently adjustable supply and exhaust blowers (FlexControl).

Painted, heavy-gauge galvanized steel cabinets are attractive, rust-resistant and extremely durable.

Doors on both sides of the unit to allow easy access to filters, cores and motors, no matter the installation constraints.

Fan exhaust frost protection, or optional recirculation defrost kit (factory installed or upgraded in the field).

Two highly efficient and noise reducing RadiCal centrifugal fans with EC motors from EBM Papst.

Units with polypropylene cores can be used for indoor pools and spas.



Plate Exchanger

Material: Polypropylene or aluminum

Casing

Material: Painted galvanized steel 22GA
Insulation: 1"(25 mm) Fiberglass with FSK
Drain Connection: Ø 1/2" (Ø 13 mm)
Duct Connections: 14" x 8" (356mm x 203mm)
Width: 36-1/4" (921mm)
Height: 23-7/8" (606mm)
Depth: 32-1/8" (816mm)

Polypropylene core

Unit Weight: 136 lb (62 kg); 146 lb (66 kg) with recirculation
Shipping Weight: 190 lb (86 kg); 200 lb (91 kg) with recirculation

Aluminum core

Unit Weight: 147 lb (67 kg); 157 lb (71 kg) with recirculation
Shipping Weight: 201 lb (91 kg); 211 lb (96 kg) with recirculation



Mounting

Supplied with base rails. Support rods not included.



Electrical Requirements

230V/1p/60 Hz: FLA 2.8A, MCA 3.2A, MOP 15A
208V/1p/60 Hz (with field modification): FLA 3.0A, MCA 3.4A, MOP 15A
Terminal block for direct wiring to the building's electrical system.
Fused disconnect not included.



Frost Control

Cycles controlled by a temperature sensor when outdoor temperatures fall below 23°F (-5°C).

Standard: Exhaust Defrost

Optional: Recirculation Defrost (P/N 683900)



Blowers

Two backward-inclined motorized impeller, direct-drive, EC motors, variable speed, external rotor



Filters

Type : Aluminum (P/N 683901)

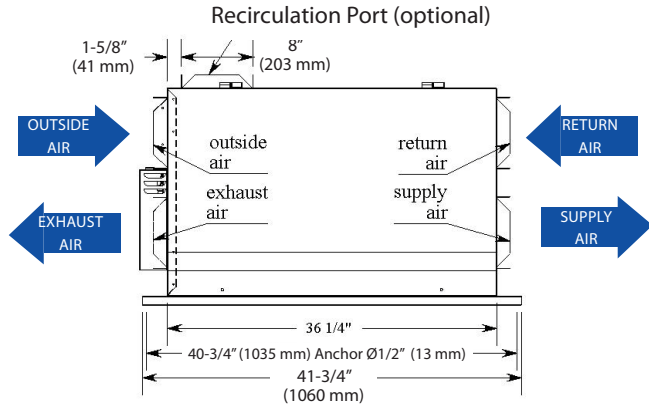
Optional : MERV 8 (P/N 683902), Charcoal (P/N 683903), or High Efficiency/MERV13 Equivalent (P/N 683904)

Additional Air Pressure Drop with Optional Filters

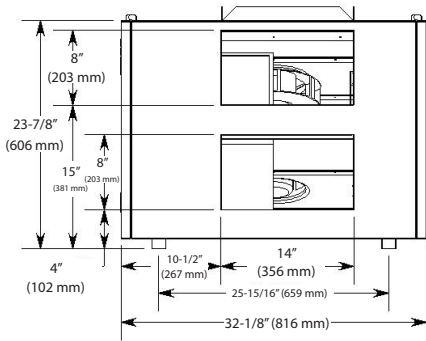
Filter Type	Airflow CFM (L/S)	
	300 (142)	500 (256)
MERV 8	0.04	0.08
Charcoal	0.04	0.08
High Efficiency	0.22	0.35

Dimensions

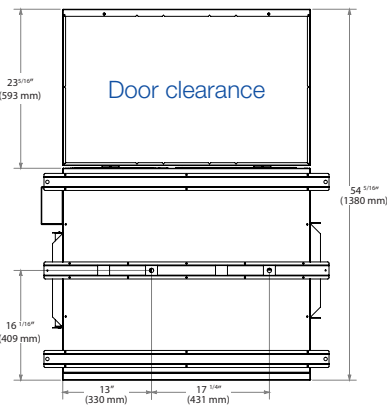
FRONT VIEW



SIDE VIEW

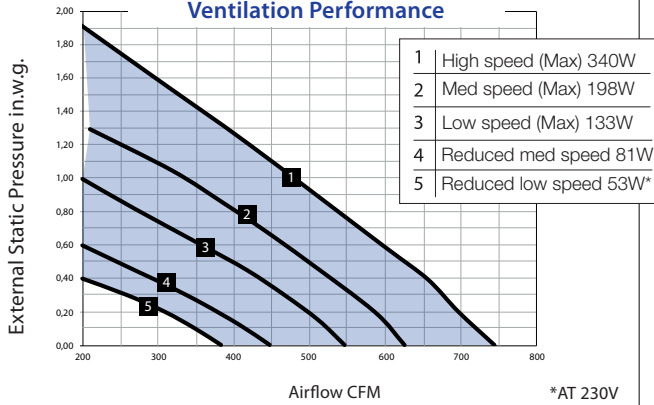


BOTTOM VIEW

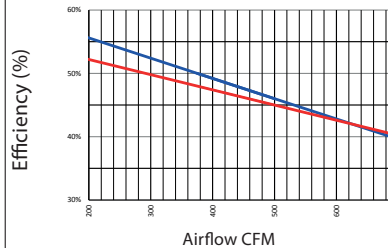


Performance

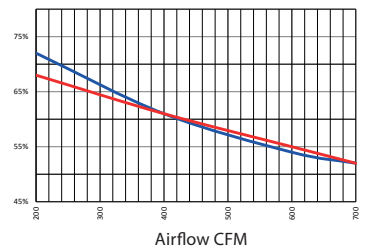
H650-Fi-EC-N & H650A-Fi-EC-N Ventilation Performance



H650-Fi-EC-N Core Efficiency



H650A-Fi-EC-N Core Efficiency



Project:		Architect:	
Location:		Engineer:	
Model #:		Contractor:	
Quantity:		Comments:	
Submitted By:			
Date:			

Controls

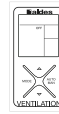
0-10 VDC inputs (for supply and exhaust) or multiple fixed speed options

Low-voltage dry contact (24 VAC, 20 VA) for:

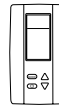
- Occupancy Control (On/Off)
- Interlock contacts
- Optional Recirculation Mode

24 VAC, 10 VA output for supply and exhaust dampers (by others)

Compatible with :



Digital Multifunction Control (P/N 611242-FC)



LCD Electronic Multifunction Control (P/N 611227)



20/40/60 Minute Timer (P/N 611228)



Speed Control (Low/Intermittent/High) (P/N 611229)



Mode Control (exchange or recirculation) (P/N 611230)

BACnet™ interface (P/N 611235)

For more information, contact your Aldes sales advisor, visit aldes-na.com, call 1.800.262.0916, or find us on

