



RESIDENTIAL

HRV

H190-TRG

HEAT RECOVERY VENTILATOR

200 CFM at 0.40 in.w.g (ESP)



C22.2 no113
UL 1812



CORE

UNIT

PRODUCT DESCRIPTION

Compact size, large performance. The H190-TRG heat recovery ventilator exchanges up to 200 CFM of fresh air at 0.4 in.w.g. (ESP) and recovers heat through its high-efficiency polypropylene core. The H190-TRG has been thoughtfully engineered for simple installation in almost any size of house.

Recommendation :
Ideal for homes from 1500ft² to 2500ft²

KEY FEATURES

Electronically and independently adjustable supply and exhaust blowers (FLEXControl)

Gauge ports on the door for fast and reliable airflow readings

Non-dust-loading backward-inclined impellers on totally enclosed motors

Twist-in collars for easy flex-duct attachment

Easy access to core and filters for cleaning

Extremely durable polypropylene core

Recirculating defrost collar snaps into pre-punched area of cabinet for ducting flexibility



Recovery Core

Material: Polypropylene

Casing

Material: Pre-painted 24-gauge galvanized steel

Drain Connection: Ø 3/8" (Ø 10 mm)

Duct Connections: Ø 6" (Ø 152 mm)

Insulation: Molded EPS

Width: 29-3/16" (741 mm)

Height: 21" (533 mm)

Depth: 15-1/8" (384 mm)

Weight: 46 lbs (21 kg); Shipping Weight: 51 lbs (23 kg)

Supply Damper: Motorized; Exhaust Damper: Gravity



Mounting

Suspended by chains with vibration-isolating springs



Electrical requirement

120 VAC, 60 Hz, 1.95 A, 155 W

Cord Set: 48" (1219 mm) with ground



Frost control

Automatic timed recirculation, fifth port. Cycles controlled by a temperature sensor when outdoor temperature drops below 23°F (-5°C)



Filters

Type : Aluminum (P/N 683959)

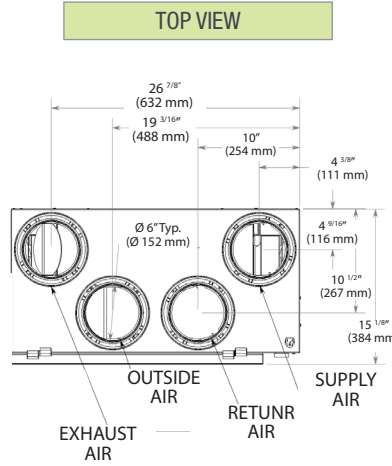
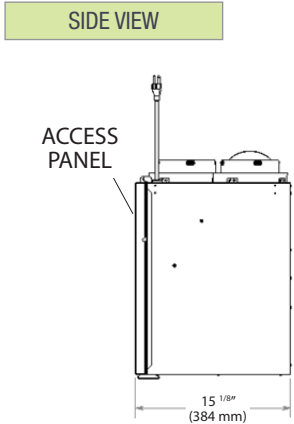
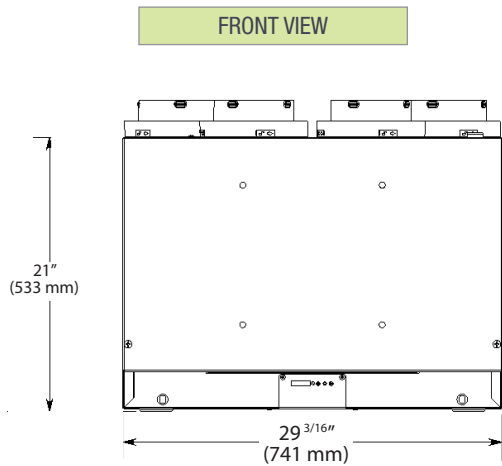
Option : MERV 6 (P/N 683958) or high-efficiency MERV 13 (P/N 683957)



Blowers

Motorized impellers (backward-inclined)

Dimensions

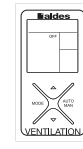


Performance

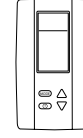
Supply Temperature		Net Airflow		Power Consumed (W)	Sensible Recovery Efficiency	Adjusted Sensible Recovery Efficiency
°F	°C	CFM	L/s			
32	0	64	30	68	75%	82%
32	0	81	38	70	74%	80%
32	0	120	57	110	68%	75%
-13	-25	74	35	84	66%	70%

Controls

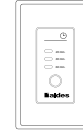
Low voltage dry contact (24VAC) for interlock with heating/cooling systems.



Digital Multifunction Control (# 611242) and (#611242-FC)



LCD Electronic Multifunction Control (P/N 611227)



20/40/60 Minute Timer (P/N 611228)

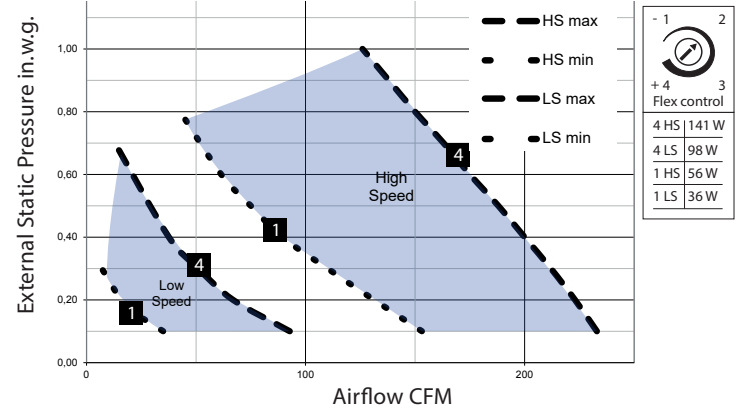


Speed Control (Low/Intermittent/High) (P/N 611229)



Mode Control (Recirculation) (P/N 611230)

H190-TRG Ventilation Performance



Project:		Architect:	
Location:		Engineer:	
Model #:		Contractor:	
Quantity:		Comments:	
Submitted By:			
Date:			

For more information, contact your Aldes sales advisor, visit aldes-na.com, call 1.800.255.7749, or find us on    