



C22.2 no113
UL 1812



PRODUCT DESCRIPTION

Compact size, large performance – the E190-TRG energy recovery ventilator produces approximately 165 CFM at 0.4 in. w.g. (ESP) and recovers sensible and latent heat through its high-latent-transfer core. The E190-TRG has been thoughtfully engineered for simple installation in and spacious houses.

Recommendation :
Ideal for homes from 1500ft² to 2500ft²

KEY FEATURES

Electronically and independently adjustable supply and exhaust blowers (FLEXControl)

Gauge ports on the door for fast and reliable airflow readings

Non-dust-loading backward-inclined impellers on totally enclosed motors

Twist-in collars for easy flex-duct attachment

Easy access to core and filters for cleaning

Durable High Latent Transfer enthalpy core has exceptional moisture transfer for increased comfort and no drain required.

Recirculating defrost collar snaps into pre-punched area of cabinet for ducting flexibility

RESIDENTIAL

ERV

E190-TRG

ENERGY RECOVERY VENTILATOR

165 CFM at 0.40 in.w.g (ESP)



UNIT

CORE



Recovery Core

Material: High-latent-transfer enthalpy

Casing

Material: Pre-painted 24-gauge galvanized steel

Duct Connections: Ø 6" (Ø 152 mm)

Insulation: Molded EPS

Width: 29-3/16" (741 mm)

Height: 21" (533 mm)

Depth: 15-1/8" (384 mm)

Weight: 46 lbs (21 kg); Shipping Weight: 51 lbs (23 kg)

Supply Damper: Motorized; Exhaust Damper: Gravity



Mounting

Suspended by chains with vibration-isolating springs



Electrical requirement

120 VAC, 60 Hz, 1.95 A, 155 W

Cord Set: 48" (1219 mm) with ground



Frost control

Automatic timed recirculation, fifth port. Cycles controlled by a temperature sensor when outdoor

temperature drops below 14°F (-10°C)



Filters

Type : Aluminum (P/N 683959)

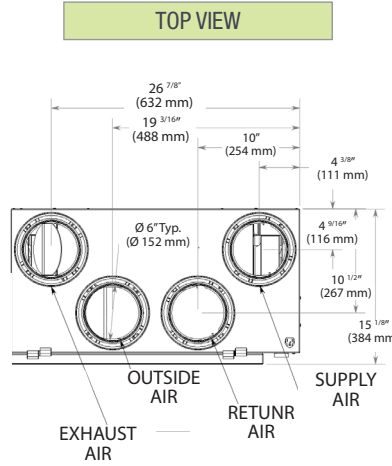
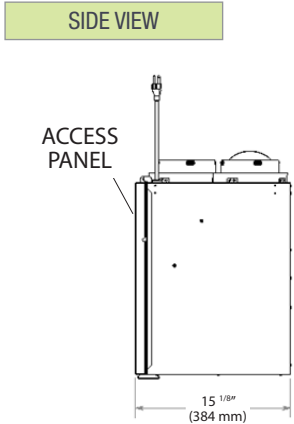
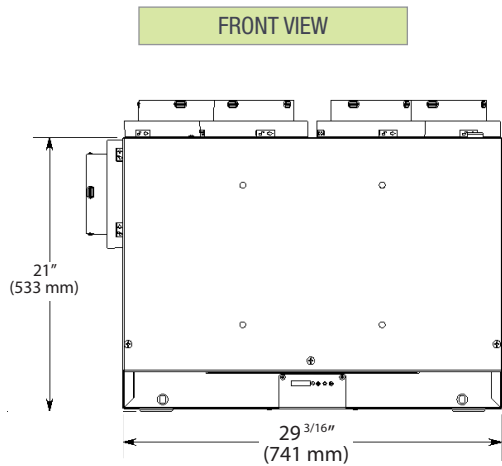
Option : MERV 6 (P/N 683958) or high-efficiency MERV 13 (P/N 683957)



Blowers

Motorized impellers (backward-inclined)

Dimensions

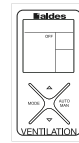


Performance

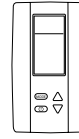
Outside Air Temperature		Net Airflow		Power Consumed (W)	Sensible Recovery Efficiency	Adjusted Sensible Recovery Efficiency	Latent Recovery/Moisture Transfer	Total Recovery Efficiency
°F	°C	CFM	L/s					
Heating								
32	0	51	24	52	76%	84%	0.69	-
32	0	81	38	62	72%	78%	0.66	-
32	0	119	56	106	67%	73%	0.60	-
-13	-25	74	35	89	60%	63%	0.63	-
Cooling								
95	35	81	38	62	-	-	0.55	56%

Controls

Low voltage dry contact (24VAC) for interlock with heating/cooling systems.



Digital Multifunction Control (# 611242) and (#611242-FC)



LCD Electronic Multifunction Control (P/N 611227)



20/40/60 Minute Timer (P/N 611228)

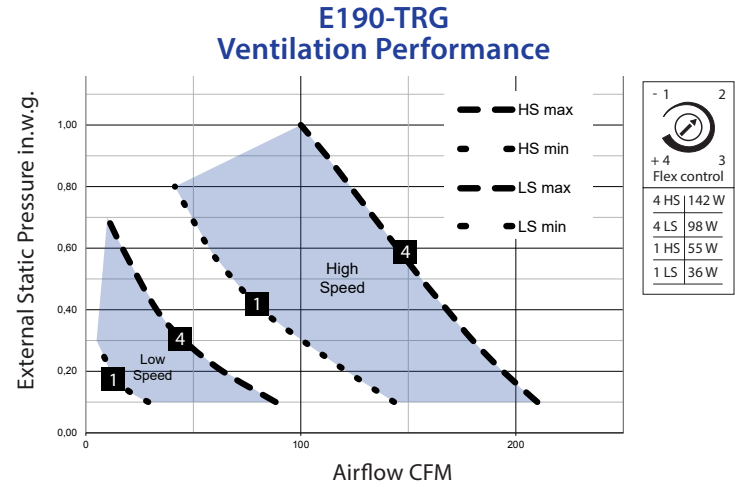


Speed Control (Low/Intermittent/High) (P/N 611229)



Mode Control (Recirculation) (P/N 611230)

Project:		Architect:	
Location:		Engineer:	
Model #:		Contractor:	
Quantity:		Comments:	
Submitted By:			
Date:			



For more information, contact your Aldes sales advisor, visit aldes-na.com, call 1.800.255.7749, or find us on

