

ZTC

FAN CONTROLS

ZONE TERMINAL CONTROL
(P/N 28 550)

IOM

READ AND SAVE THESE INSTRUCTIONS

Precautionary Information

THIS CONTROL MUST BE INSTALLED BY A QUALIFIED INSTALLER. All wiring must conform to local and national electrical codes and ordinances.

WARNING! DO NOT USE ON CIRCUITS EXCEEDING SPECIFIED VOLTAGE. HIGHER VOLTAGES WILL DAMAGE CONTROL AND COULD CAUSE SHOCK OR FIRE HAZARD.

CAUTION: TO REDUCE THE RISK OF FIRE AND ELECTRIC SHOCK, INSTALL THIS CONTROL ONLY WITH REMOTE EXHAUST FAN MODELS RATED MAXIMUM 8AMPS.

NOTE: If power disconnect switch is not in sight, lock it in the OFF position and tag it to prevent unexpected application of power.

Specifications

Input Ratings:

Voltage: 120VAC 60Hz
Power: 8A MAX

Mounting:

Mounts with four 1-1/4" #10 screws (provided) through holes in base. Wall anchors are provided.

Wiring:

18-gauge for low-voltage connections to ZRT terminals;
14-gauge for power and equipment connections

Wiring Connections:

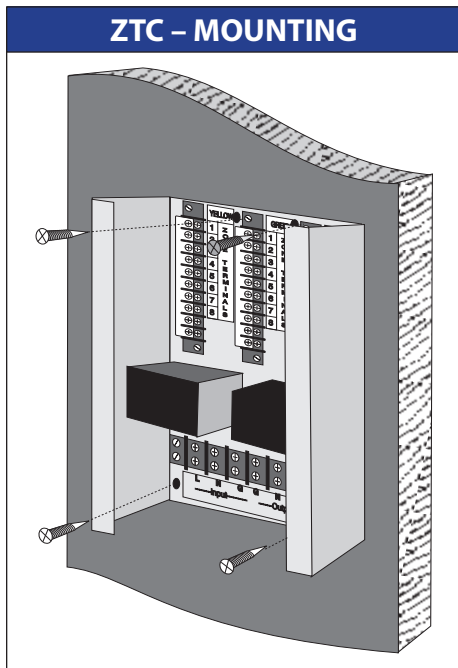
ZRT: Y, G, W
Equipment: G, N, Cont or Int.
Power: L, N, G

Product Description

The Zone Terminal and Fan Control Center (ZTC) provides low-voltage control of the line-voltage circuits and can be used to control blower motors and auxiliary circuits in ventilating equipment. The ZTC can control up to (8) 24V ALDES North America patented* Zone Register Terminals (ZRT®).

Installation

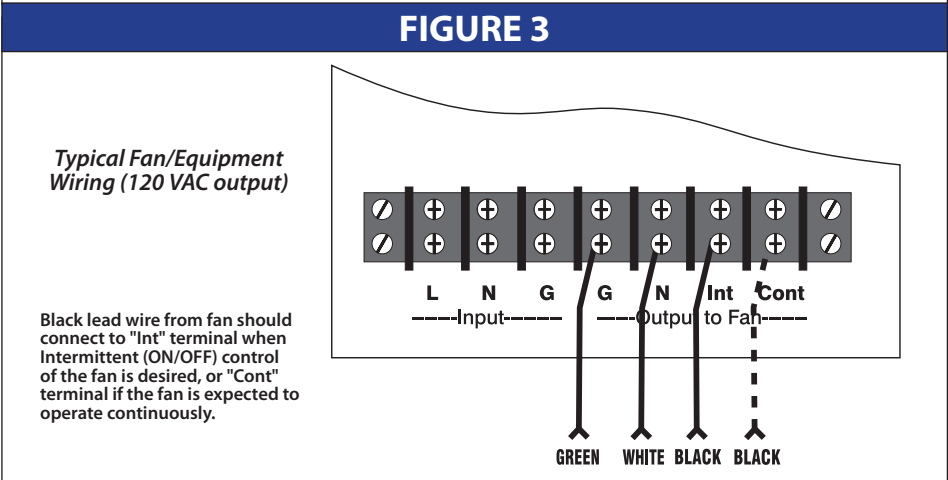
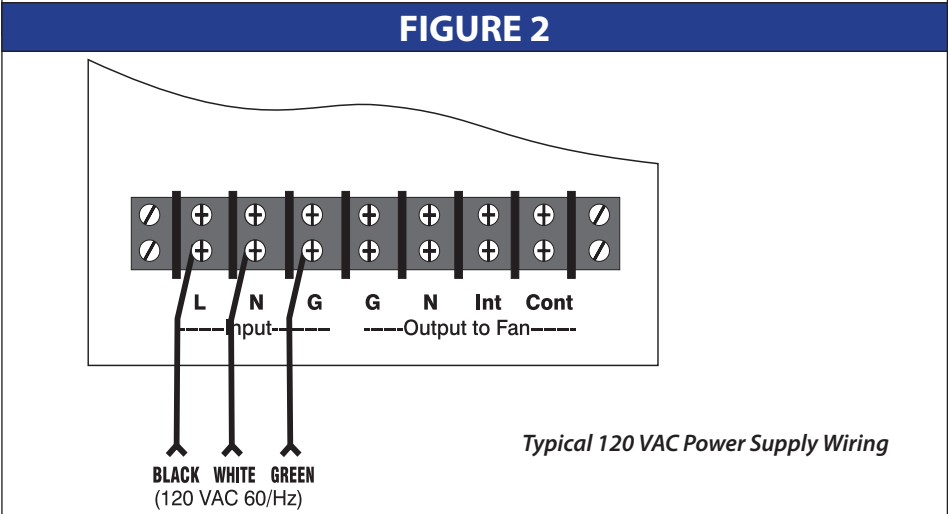
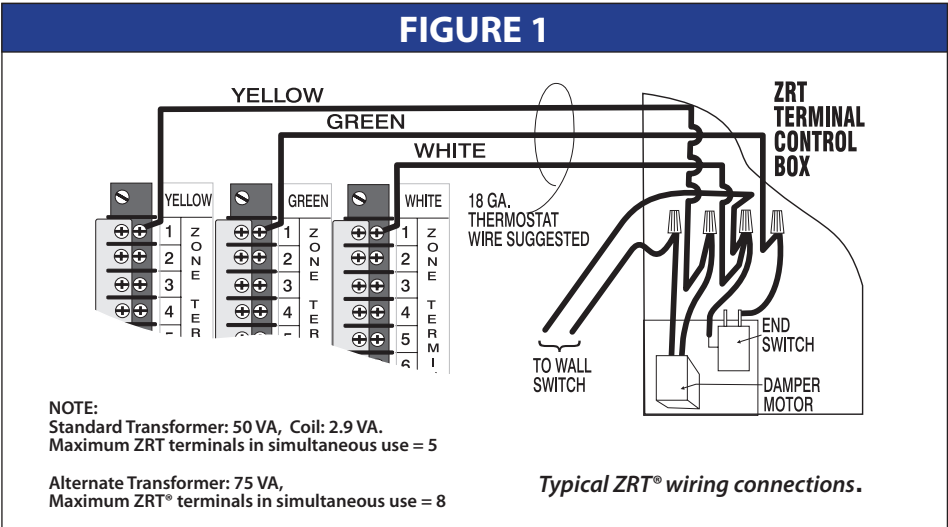
CAUTION: DO NOT MOUNT DIRECTLY ON FAN, OR OTHER ELECTRICALLY POWERED EQUIPMENT. Mount only on wall or structure framing member.



CAUTION: TO PREVENT ELECTRICAL SHOCK AND/OR EQUIPMENT DAMAGE, DISCONNECT ELECTRIC POWER TO SYSTEM AT MAIN FUSE OR CIRCUIT BREAKER BOX UNTIL INSTALLATION IS COMPLETE LABEL ALL WIRES PRIOR TO DISCONNECTION WHEN SERVICING CONTROLS. WIRING ERRORS CAN CAUSE IMPROPER AND DANGEROUS OPERATION. AFTER INSTALLATION OR REPLACEMENT, FOLLOW APPLIANCE MANUFACTURERS' RECOMMENDED INSTALLATION SERVICE INSTRUCTIONS TO ENSURE PROPER OPERATION.

*U.S. Pat. No. 7,766,734

Wiring



WIRING MUST COMPLY WITH ALL APPLICABLE CODES, ORDINANCES, AND REGULATIONS.

1. Connect ZRT® as shown in **Figure 1**.
2. Connect the ventilation fan equipment to the "Out to Fan" terminals on the control panel as shown in **Figure 3**.
3. Connect the main power to the "Input" terminals on the control panel as shown in **Figure 2**.

NOTE: Do not make any wiring connections or remove any wires to/from factory-installed wire terminals. Use only the terminal blocks provided.

WARRANTY: ALDES North America warrants the ZTC under normal use against defects in material and workmanship for 3 years from date of purchase. We will repair or replace any defect without charge, provided prompt return. Warranty is voided if there are any alterations. For more info call 1-800-255-7749.

FEATURES

- Class II (50 VA) inherently energy-limiting transformer.
- (Alternate) Class II 75 VA inherently energy-limiting transformer (Special order only).
- Non-resettable, non-replaceable over-current protection.
- For general use in Class II ventilating applications.
- Low-voltage terminal strips with standard terminal designation for easy wiring.
- 14-gauge lead wires.
- Secure mounting method from inside the control box cover.