

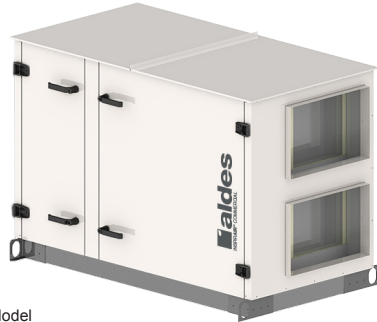


# InspirAIR® COMMERCIAL

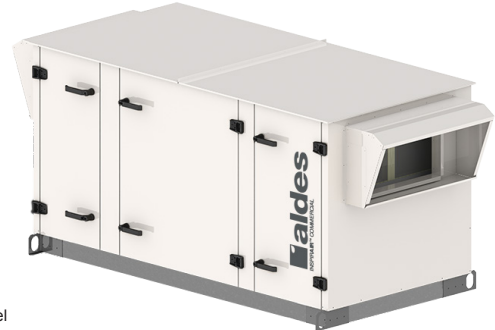
## PW20

### Energy Recovery Ventilator

PRODUCT  
SPECIFICATIONS  
& TECHNICAL  
DATA



\*Interior Model



\*Exterior Model

#### NOMINAL CAPACITY

800-2000 CFM

#### WHEEL EXCHANGER

Wheel (sensible and latent heat transfer)

#### CASING

(Standard)

- Double-wall cabinet
- 22-gauge galvanized steel interior and exterior
- Access doors with quarter-turn handles
- 22-gauge galvanized steel drain pan
- Drain Connections: 1" (25 mm) NPT
- Insulation: 1" (25 mm)

(Optional)

- Painted white baked enamel outside finish
- Removable access panels
- Supply and exhaust hoods with bird screens

#### MOUNTING (Standard)

- Standard Platform
- 18-gauge galvanized roof curb (insulation optional)

#### FROST PREVENTION/CONTROL (Optional)

See page 2 for details

#### ELECTRICAL & CONTROLS (Standard)

- 24 V double motor contactor with start-stop dry contact
- Non-fused disconnect (NEMA 4)
- 24 V transformer for controls
- Single point power

#### ELECTRICAL

- Non-Fused disconnect
  - » Optional Fused disconnect
- 24 VAC, 20 VA power available for accessories

#### WARRANTY

- Wheel Assembly: Limited 2-year
- All Other Covered Components: Limited 2-year

#### FILTERS

(Standard)

Quantity: 2 supply, 2 exhaust

Type: MERV 8

Dimensions: 16" x 20" x 2" (407 mm x 508 mm x 305 mm)

(Optional)

MERV 13 Filters (substitute on supply air circuit only)

#### BLOWERS & MOTORS

(Standard Options)

Blowers:

- Quantity: 2
- Forward-curved
- Permanently sealed and lubricated ball bearings
- Power transmission by adjustable pulleys and belts

Motors:

- Type: Inverter duty 10:1
- Maximum Power: 3 HP
- Available Voltages:
  - » 208, 230 V / 1ph / 60Hz
  - » 208, 230, 460, 575 V / 3ph / 60Hz

#### VARIABLE SPEED (Optional)

VFD:

- Quantity: 2 (1 per air stream)
- Blower Type: ODP or TEFC
- Permanently sealed and lubricated ball bearings

ECM:

- Quantity: 2 (1 per air stream)
- Plenum Type: Backward Inclined
- Permanently sealed and lubricated ball bearings
- Direct Drive
- Available Voltages:
  - » 208, 230, 460, 575 V / 3ph / 60Hz

# PW20 Features (Continued)

## FROST PREVENTION/CONTROL (Optional)

If no defrost mode is selected, it is the customer's responsibility to protect the wheel from freezing as needed.

Frost control activated by a temperature reference:  
5°F (-15°C)

### Internal Pre-Heat by Electric Coil:

- Powered by unit, SCR control (not available with 120 V)

### Internal Pre-Heat by Hot Water Coil:

- 0-10 V signal on the control panel
- Piping connections under unit

### Wheel Speed Variation:

- VFD on the wheel

### Exhaust Defrost:

- Supply air blower shuts down and outside air damper closes. Warm exhaust air defrosts the wheel until it is free of obstruction.
- Includes motorized and insulated damper on fresh air intake (OA)

### Recirculation Defrost:

- Exhaust air blower shuts down, outside air damper closes, exhaust air damper (optional) closes, and recirculation damper (included) opens. Warm exhaust air defrosts the wheel for a predetermined amount of time (see table at right).
- Includes motorized and insulated damper on fresh air intake (OA)

## POST-HEAT COILS

### Post-Heat by Electric Coil:

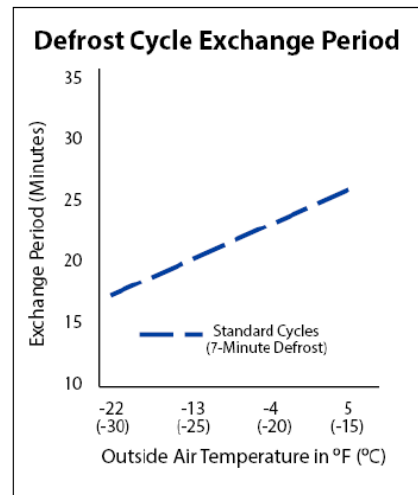
- Powered by unit, SCR control (not available with 120 V)
- 0-10VDC signal to maintain supply air temperature or 0-10VDC signal by others

### Post-Heat by Hot Water Coil:

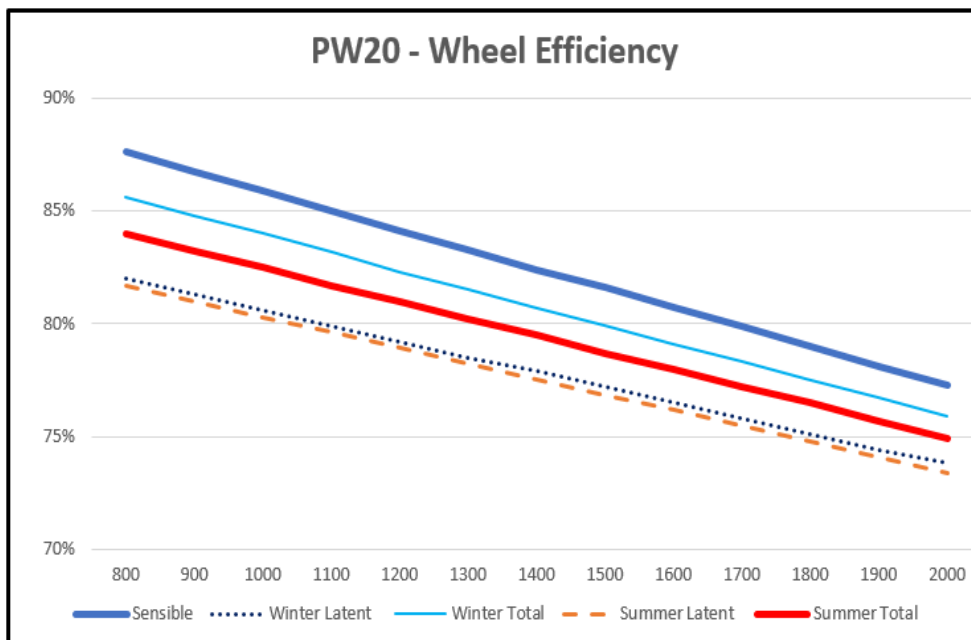
- 0-10VDC signal to maintain supply air temperature or 0-10VDC signal by others

## OPTIONAL COMPONENTS

- Motorized and insulated damper for exhaust port (EA)
- Non-insulated backdraft damper for exhaust port (EA)
- Motorized and insulated damper on fresh air intake (OA) (included with exhaust and recirculation defrost)



# Wheel Performance

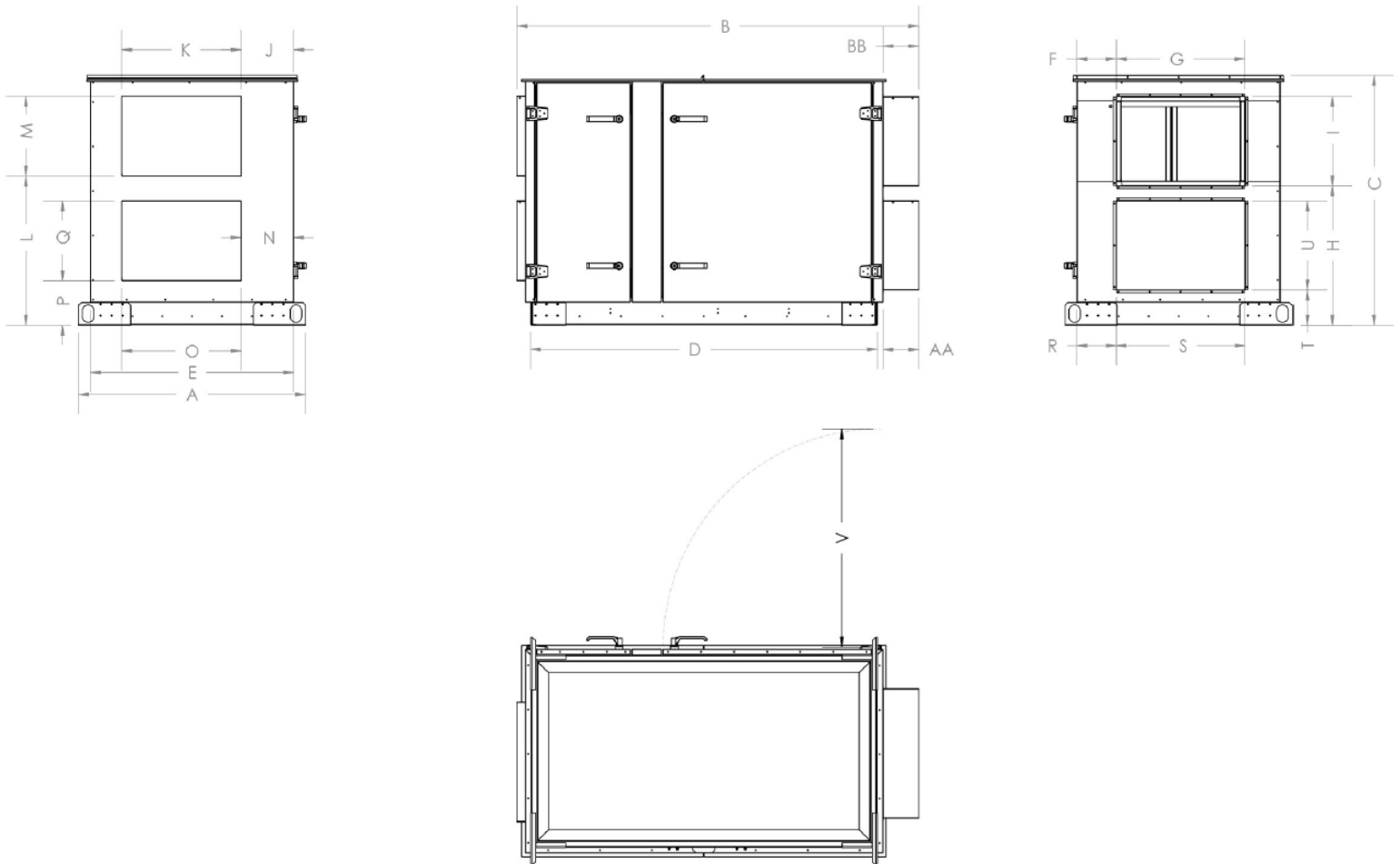


AHRI STANDARD CONDITIONS	CONDITIONS	
	Winter	Summer
Outside Air Temperature		
Dry Bulb	35°F (1.7°C)	95°F (35°C)
Wet Bulb	33°F (0.6°C)	78°F (25.6°C)
Exhaust Air Temperature		
Dry Bulb	70°F (21.1°C)	75°F (23.9°C)
Wet Bulb	58°F (14.4°C)	63°F (17.2°C)

Note: Efficiencies are based on AHRI standard conditions.

# PW20 Indoor Units Dimensions (Standard - inches)

## Indoor Units

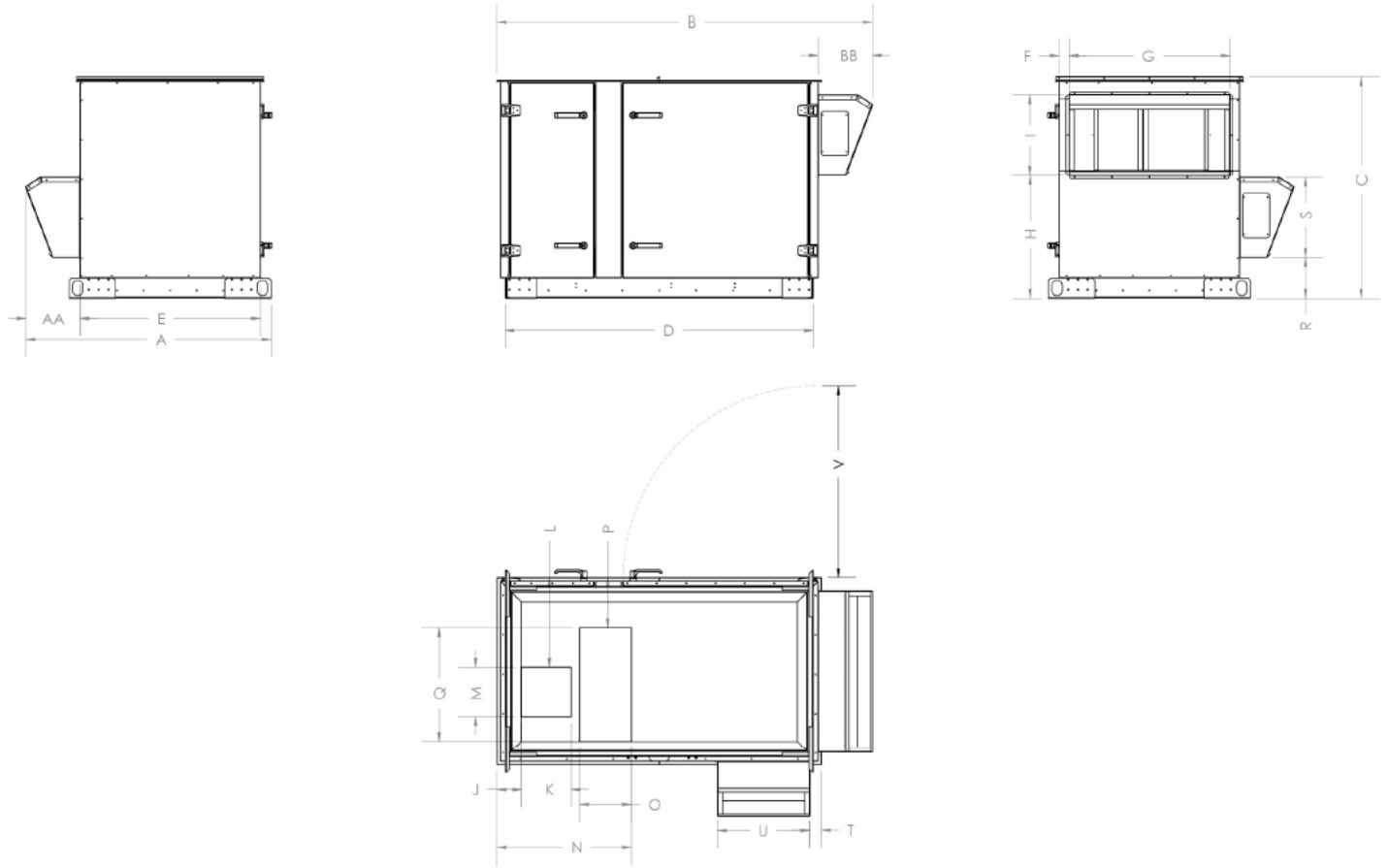


Dimension with Options (inches)												
A		B			C	D			E		F	
Overall	Bypass	Overall	1 Extension	2 Extensions		Overall	1 Extension	2 Extensions	Overall	Bypass	Overall	Bypass
47.5	N/A	73.5	93.5	N/A	50.75	62.5	82.5	N/A	40.5	N/A	10.5	N/A
G	H	I	J		K	L	M	N		O	P	Q
			Overall	Bypass				Overall	Bypass			
21.5	29	14.25	10.5	N/A	21.5	32	14.25	10.5	N/A	21.5	7.25	14.25
R		S	T	U	V	W	X	Y	Z	AA	AB	
Overall	Bypass											
10.5	N/A	21.5	7.25	14.25	40	N/A	N/A	N/A	N/A	7.5	7.5	

\* 1 Extension is used when adding a Post-heat coil

# PW20 Outdoor Units Dimensions (Standard - inches)

## Outdoor Units

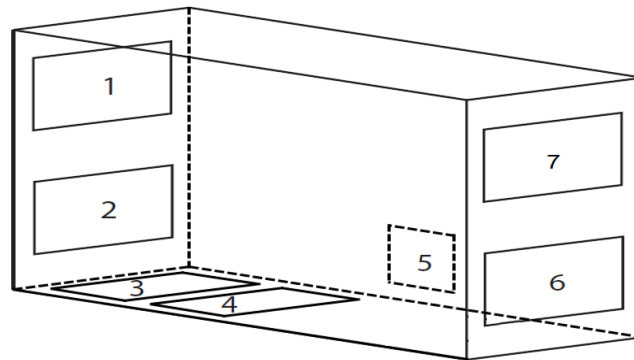


Dimension with Options (inches)												
A		B			C	D			E		F	
Overall	Bypass	Overall	1 Extension	2 Extensions		Overall	1 Extension	2 Extensions	Overall	Bypass	Overall	Bypass
56.25	N/A	76.25	96.25	N/A	50.75	62.5	82.5	N/A	40.5	N/A	3.25	N/A
G	H	I	J		K	L	M	N		O	P	Q
			Overall	Bypass				Overall	Bypass			
32	31	16.25	.75	N/A	18.75	7.5	16.25	19.25	N/A	10	3.25	10
R		S	T	U	V	W	X	Y	Z	AA	AB	
Overall	Bypass											
8.5	N/A	23	36.75	10.5	40	N/A	N/A	N/A	N/A	11	11	

\* 1 Extension is used when adding a Post-heat coil

# PW20 Configurations & Weights

AVAILABLE CONFIGURATIONS
1-2-6-7
3-4-6-7
3-4-5-7



DUCT CONNECTION KEY	
1,3	Supply Air (SA)
2,4	Return Air (RA)
5,6	Exhaust Air (EA)
7	Outside Air (OA)

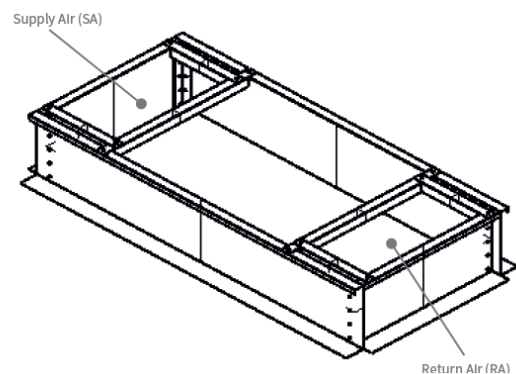
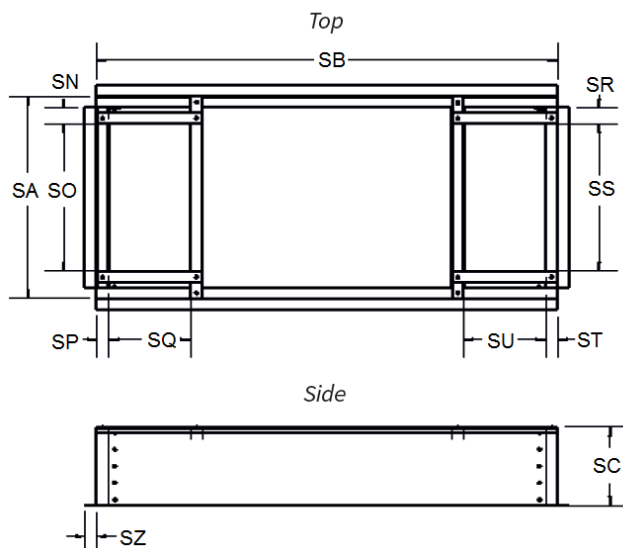
PW20 WEIGHTS & DIMENSIONS †	
Wheel Type	Wheel
Minimum Unit Weight	900 lbs (408 kg)
Maximum Unit Weight	1300 lbs (590 kg)
Minimum Shipping Weight	1000 lbs (454 kg)
Maximum Shipping Weight	1400 lbs (635 kg)

† Actual weight may vary by ±10%.

## PW20 Roof Curb Dimensions - inches

Dimensions with Options (inches)*												
	SA	SB	SC	SN	SO	SP	SQ	SR	SS	ST	SU	SZ
PE15	38.25	60.25	14	18.25	10	2	10	7.25	23	35.5	10.5	2

\* Add 20" to width of Roof Curb for each extension



**MODEL:** PW20  
**SERIES:** InspirAIR® Commercial  
**NOMINAL CAPACITY:** 800-2000

Standard Feature  
 Optional Feature  
*(check the box to select this option)*

**REMEMBER TO:** Send your completed selection to your American ALDES Representative.

## UNIT

### CABINET FINISH

- Galvanized
- Painted

### DUCT CONFIGURATION

- 1-2-5-6 (Indoor Unit)
- 1-3-5-6
- 1-2-4-6
- 1-3-4-6 (Outdoor Unit)

### CONFIGURATION OPTIONS

- None (Indoor Unit)
- Rooftop Installation (Outdoor Unit)
- Mirror Configuration\*  
(\*Doors are located to the opposite side)

### FROST CONTROL

- None
- Exhaust Defrost
- Recirculation Defrost
- Wheel Speed Variation
- Pre-Heat (Electrical Coil)
- Pre-Heat (Hot Water Coil)

### HEATING OPTIONS

- None
- Post-Heat (Electrical Coil)
- Post-Heat (Hot Water Coil)

## BLOWERS & MOTORS

### MOTOR TYPE

- ODP
- TEFC

### SPEED

- Single Speed
- ECM
- VFD

### FILTERS

- MERV 8
- MERV 13

### ELECTRICAL REQUIREMENTS

- 208V/1ph/60Hz
- 230V/1ph/60Hz
- 208V/3ph/60Hz
- 230V/3ph/60Hz
- 460V/3ph/60Hz
- 575V/3ph/60Hz

### DISCONNECT

- Non-fused
- Fused

## OPTIONAL ADD-ONS

- Motorized & Insulated Damper for OA
- Motorized & Insulated Damper for EA
- Non-Insulated Backdraft Damper for EA
- 24 VAC, 10 VA Terminals for OA and/or EA Dampers by Others
- 24 VAC, 20 VA Power Available for Accessories by Others
- Spare Filters QTY: \_\_\_\_\_
- Spare Belts QTY: \_\_\_\_\_
- Remote Display Panel
- Low Temperature Limit
- Dry Contact For Dirty Filter Alarm
- BacNET IP Controller
- BacNET MSTP Controller
- Phase-Loss Detection
- Fan Rotation Detection
- Carbon Dioxide Detection
- Relative Humidity Detection
- Free Cooling Management
- Independent Motor Management
- MERV 13 Filter Set (Replacement Filter)
- MERV 8 Filter Set (Spare Filter Set)
- Programmable Timer
- Removable Access Doors
- Wheel Rotation Detection Sensor
- Mechanical Purge