



MAKE-UP AIR SOLUTIONS
AIRLET™ 600
 Humidity-Controlled Fresh Air Inlet

INSTALLATION
 OPERATION
 MAINTENANCE

READ AND SAVE THESE INSTRUCTIONS

The AIRLET™ 600 is a fresh air inlet designed to supply make-up air ventilation for bedrooms and living areas. It is not intended to supply combustion air for fireplaces or large exhaust fans, such as range hoods. The AIRLET™ 600 is compatible with zonal electric, radiant, and hydronic heating systems. It is not recommended for use with forced-air heating systems, unless return registers are provided in each room that has an AIRLET™ 600 installed. This is to prevent exfiltration through the inlet when the forced-air system is operating and doors are closed between rooms.

For make-up air products specifically engineered for use with forced-air heating systems, request an ALDES IAQ Fresh Air Kit from your supplier.

GENERAL

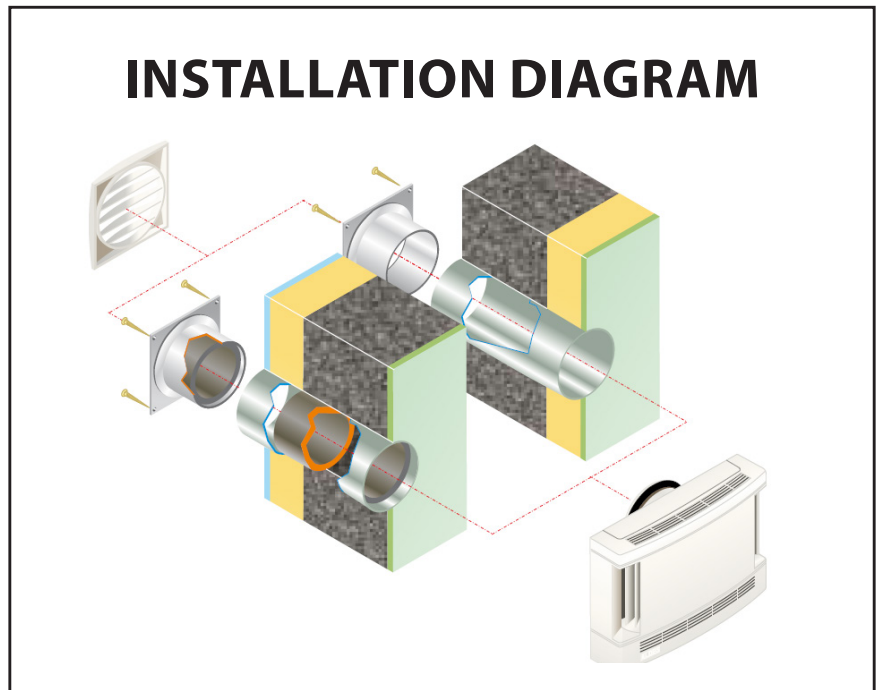
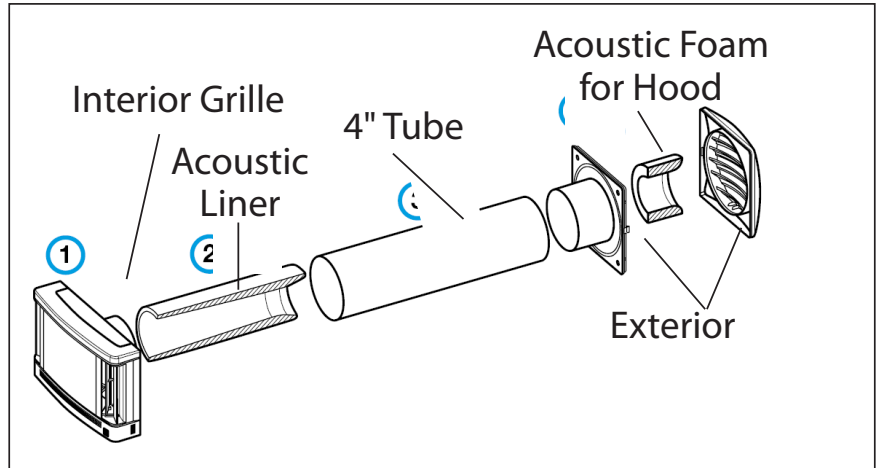
Best results will be obtained in homes with tight air-vapor retarders and continuous central exhaust from bathrooms, kitchens, and laundry rooms.

The goal is to achieve a home with slight negative pressure, so as to avoid exfiltration into the walls and attic. Install one fresh air inlet in each bedroom and in living/dining rooms. Inlets should not be installed in kitchens, bathrooms, or laundry areas. These areas should be exhaust points to a central exhaust system.

When placed high up on exterior walls, drafts from the inlet should not be noticeable. The interior fixture has louvers to direct the airflow upwards, where it quickly mixes with warmer air near the ceiling. The variable precision damper allows airflow adjustment using the slide operator located behind the vent cover.

TOOLS REQUIRED

- Hole saw, keyhole saw, saber saw, or router
- Drywall knife
- Phillips No.1 screwdriver
- Silicone or exterior butyl caulk



COMPLETE UNITS & ACCESSORIES		Acoustic Attenuation
P/N: 14 170	Standard AIRLET™ 600 (Includes Interior Grille, 4" Dia. Tube, & Exterior Grille with Filter)	33 Dnew (Ctr) (dB)
P/N: 14 124	Acoustic Insert for Sleeve	42 Dnew (Ctr) (dB) (When used with P/N 14 170)

LOCATE AND CUT THE HOLE THROUGH THE WALL
FIGURE 1

Locate the position of the inlet on the exterior with reference to the interior. The inlet on the interior should be within 12" of the ceiling.

Using the appropriate hole-cutting tool, cut a 4-1/8" diameter hole through the siding, sheathing, insulation, and interior wall surface. Take care to properly align the holes on the interior surface with the exterior and ensure a slight slope downwards towards the outside. This slope will permit any water to drain to the exterior.

CAUTION: Avoid cutting through any vertical framing members, pipes, or electrical wiring.

MEASURE AND SLIDE THE PIPE INTO PLACE
FIGURE 2

What do people need to know in order to do this step? Please be super clear and tell them about any potential problems that are likely to encounter so that they don't have to redo it later and then leave us a terrible review on Amazon. What do people need to know in order to do this step? Please be super clear and tell them about any potential problems that are likely to encounter so that they don't have to redo it later and then leave us a terrible review on Amazon.

ALIGN THE MOUNTING FLANGE AND ATTACH TO WALL??
FIGURE 3

What do people need to know in order to do this step? Please be super clear and tell them about any potential problems that are likely to encounter so that they don't have to redo it later and then leave us a terrible review on Amazon. What do people need to know in order to do this step? Please be super clear and tell them about any potential problems that are likely to encounter so that they don't have to redo it later and then leave us a terrible review on Amazon.

ALIGN THE MOUNTING FLANGE AND ATTACH TO WALL??
FIGURE 4

What do people need to know in order to do this step? Please be super clear and tell them about any potential problems that are likely to encounter so that they don't have to redo it later and then leave us a terrible review on Amazon. What do people need to know in order to do this step? Please be super clear and tell them about any potential problems that are likely to encounter.

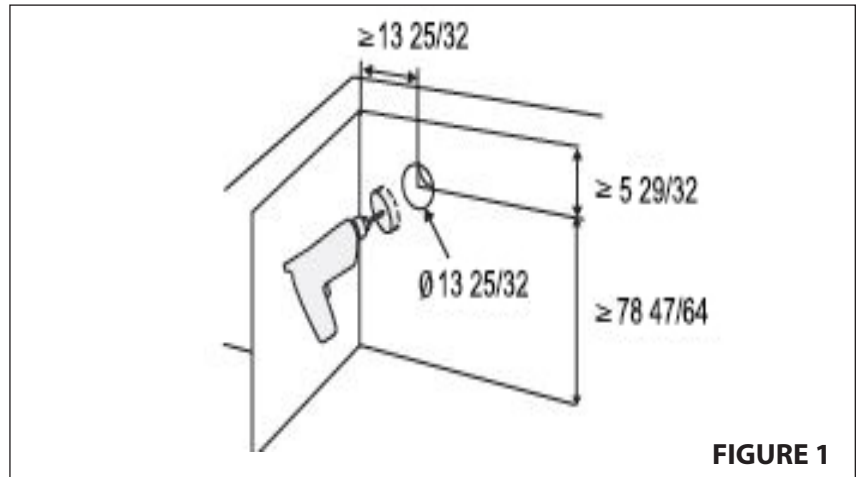


FIGURE 1

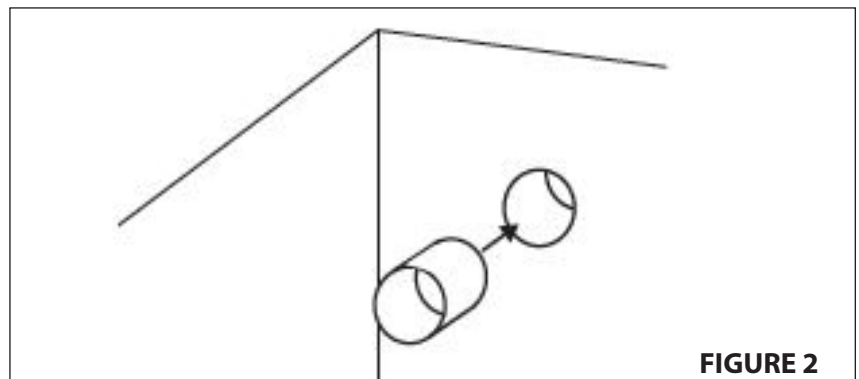


FIGURE 2

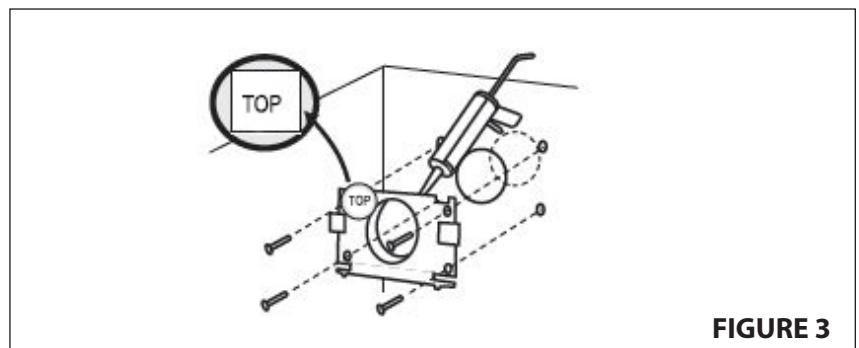


FIGURE 3

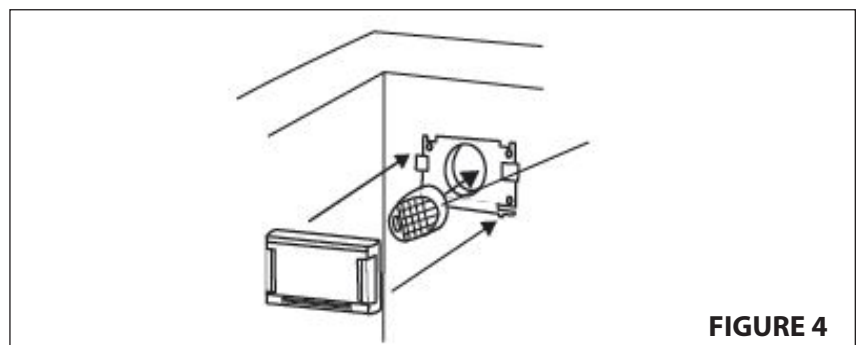


FIGURE 4

ATTACH THE INTERIOR GRILL TO THE MOUNTING PLATE
FIGURE 5

What do people need to know in order to do this step? Please be super clear and tell them about any potential problems that are likely to encounter so that they don't have to redo it later and then leave us a terrible review on Amazon. What do people need to know in order to do this step? Please be super clear and tell them about any potential problems that are likely to encounter so that they don't have to redo it later and then leave us a terrible review on Amazon.

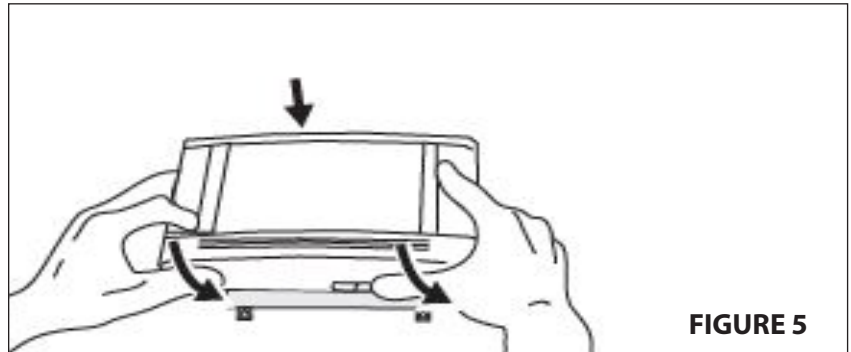


FIGURE 5

ATTACH THE EXTERIOR MOUNTING PLATE AND ATTACH THE GRILLE
FIGURE 6

What do people need to know in order to do this step? Please be super clear and tell them about any potential problems that are likely to encounter so that they don't have to redo it later and then leave us a terrible review on Amazon. What do people need to know in order to do this step? Please be super clear and tell them about any potential problems that are likely to encounter so that they don't have to redo it later and then leave us a terrible review on Amazon.

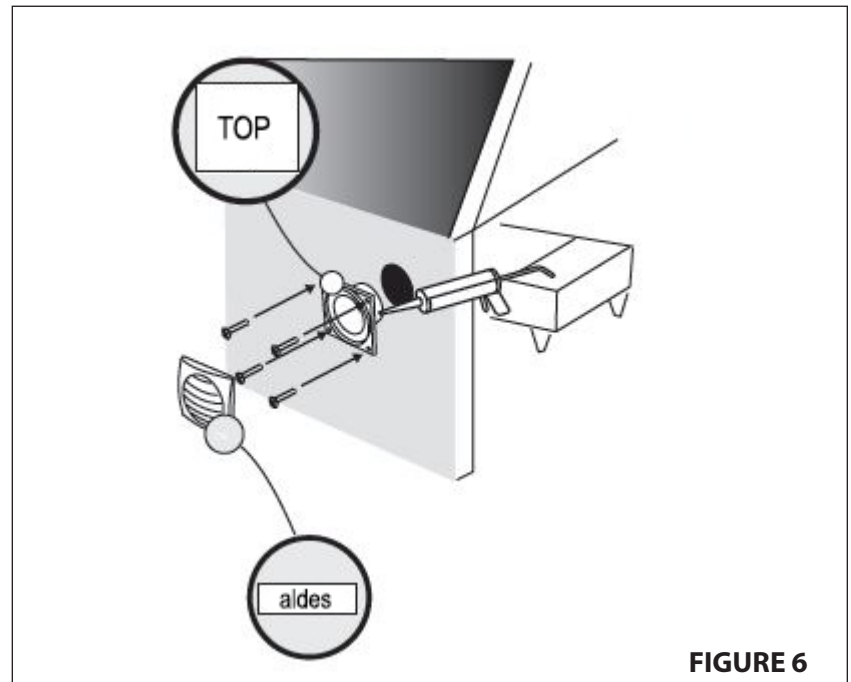


FIGURE 6

CAUTION:

What do people need to know in order to do this step? Please be super clear and tell them about any potential problems that are likely to encounter so that they don't have to redo it later and then leave us a terrible review on Amazon. What do people need to know in order to do this step? Please be super clear and tell them about any potential problems

ON LAP SIDING WITH LESS THAN 6" EXPOSURE

The procedure is the same, except it may be necessary to provide a mounting plate for fixtures, or use a J-flashing to accommodate the exterior flange and grille.

MAINTENANCE

The only maintenance required is periodic cleaning of the filter and the interior grille.

WARRANTY

The entire unit is guaranteed for three (3) years, from date of shipment, against all manufacturing defects, provided the material has been installed and operated per manufacturer's instructions and under normal conditions. Warranty is limited to the repair or replacement of the material upon its return freight paid to our factory. This warranty is not transferable and is limited to the original end user.

© 2017 American ALDES Ventilation Corporation. Reproduction or distribution, in whole or in part, of this document, in any form or by any means, without the express written consent of American ALDES Ventilation Corporation, is strictly prohibited. The information contained within this document is subject to change without prior written notice.