



FAN CONTROLS

Positive/Negative Pressure Switch

P/N 28 866

PRODUCT
SPECIFICATIONS
& TECHNICAL
DATA



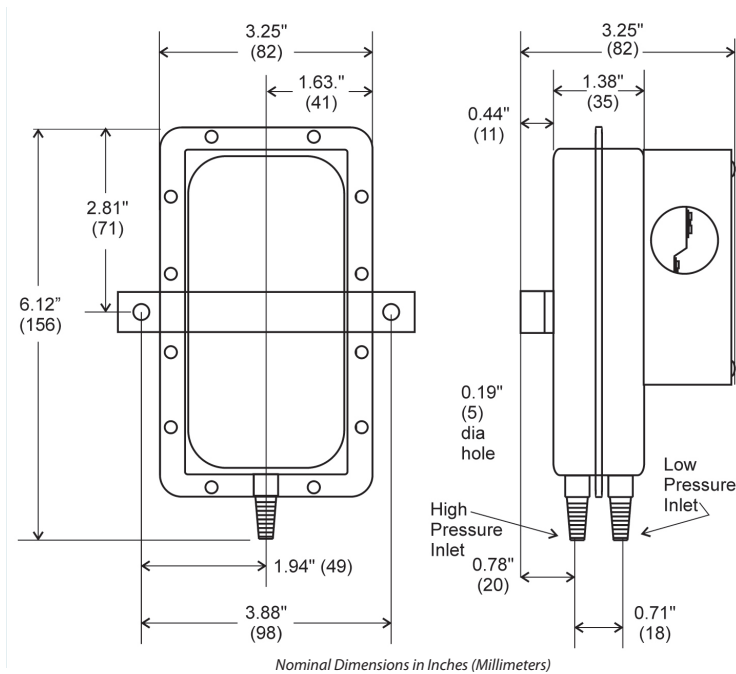
DESCRIPTION

The ALDES Positive-Negative Pressure Switch is adjustable to between 0.05" to 2.0" w.g. differential pressure by using positive or negative pressure taps.

SUGGESTED USE

Use for sensing ventilation fan operation and to initiate a second or alternate fan. The switch is suitable for 115 V supply; 15 amp rating. The Positive-Negative Pressure Switch is ideal for use with fans.

Dimensional Data



© 2018 American ALDES Ventilation Corporation. Reproduction or distribution, in whole or in part, of this document, in any form or by any means, without the express written consent of American ALDES Ventilation Corporation, is strictly prohibited. The information contained within this document is subject to change without prior written notice.