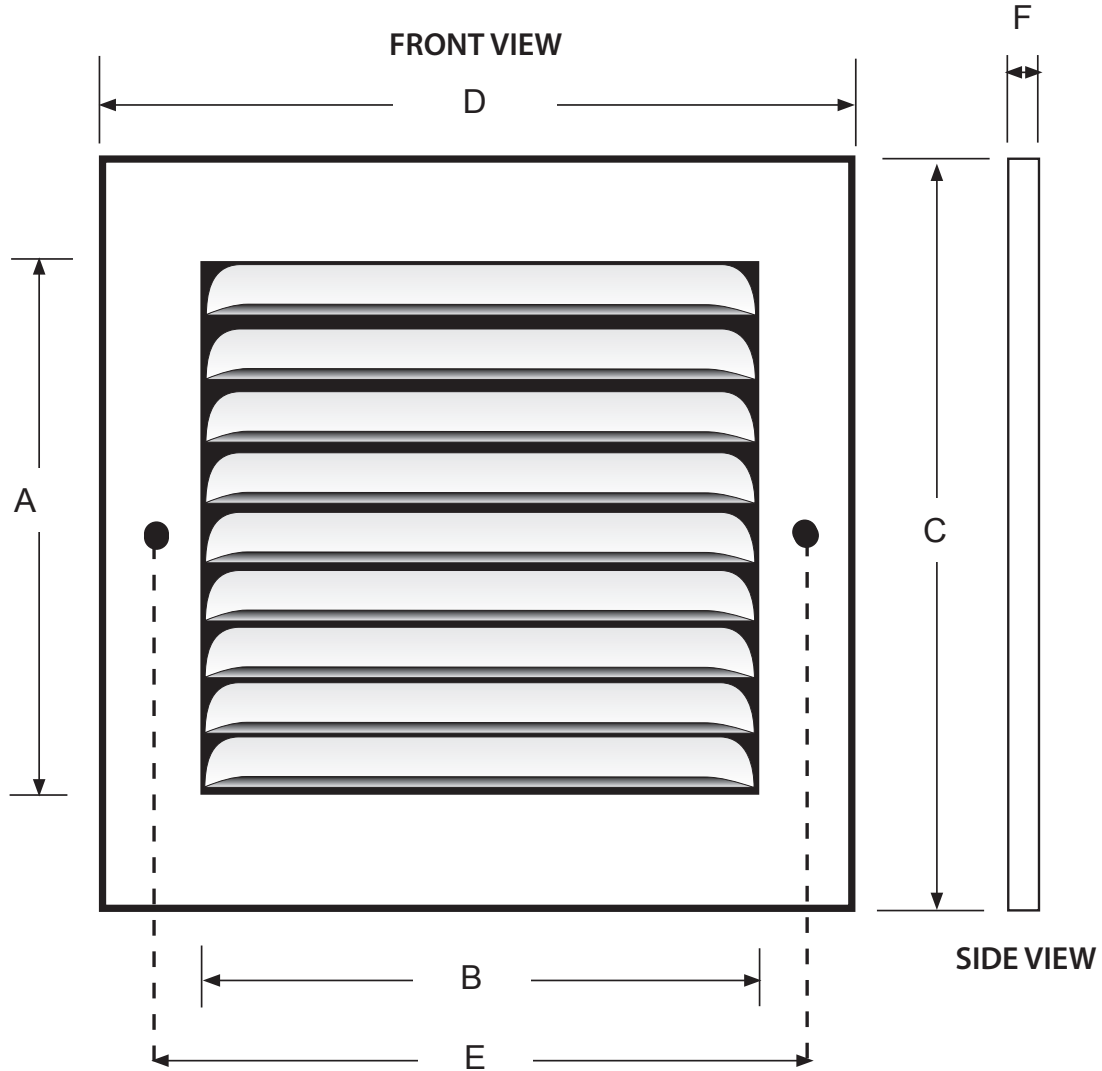




ROOF CAPS, WALL HOODS, GRILLES & DUCT FITTINGS  
**Flush-Mount Exhaust Grilles**  
 For Use with RB and CERB Series Register Boxes

PRODUCT  
 SPECIFICATIONS  
 & TECHNICAL  
 DATA



DIMENSIONAL DATA								OPTIONAL FILTER
PART NUMBER	SIZE	A	B	C	D	E	F	PART NUMBER
54 006	8" x 4"	3-7/8"	7-1/2"	5-3/4"	9-3/4"	9-1/8"	5/16"	23 024
54 007	6" x 6"	5-3/8"	5-1/2"	7-3/8"	7-7/16"	6-3/8"	1/4"	23 023
54 028	8" x 8"	7-1/2"	7-1/2"	9-1/2"	9-1/2"	8-5/8"	7/16"	23 025
54 029	10" x 10"	9-1/2"	9-1/2"	11-1/2"	11-1/2"	10-5/8"	7/16"	N/A

© 2016 American ALDES Ventilation Corporation. Reproduction or distribution, in whole or in part, of this document, in any form or by any means, without the express written consent of American ALDES Ventilation Corporation, is strictly prohibited. The information contained within this document is subject to change without prior written notice.