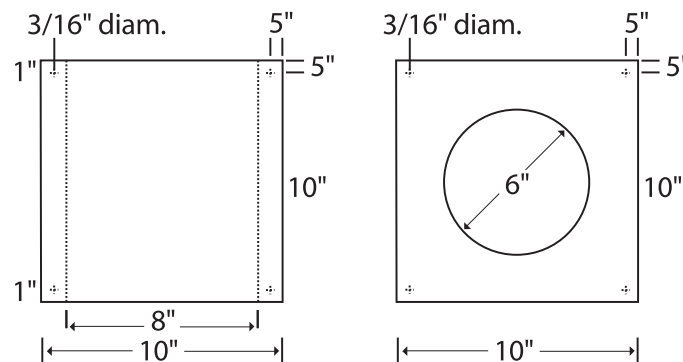
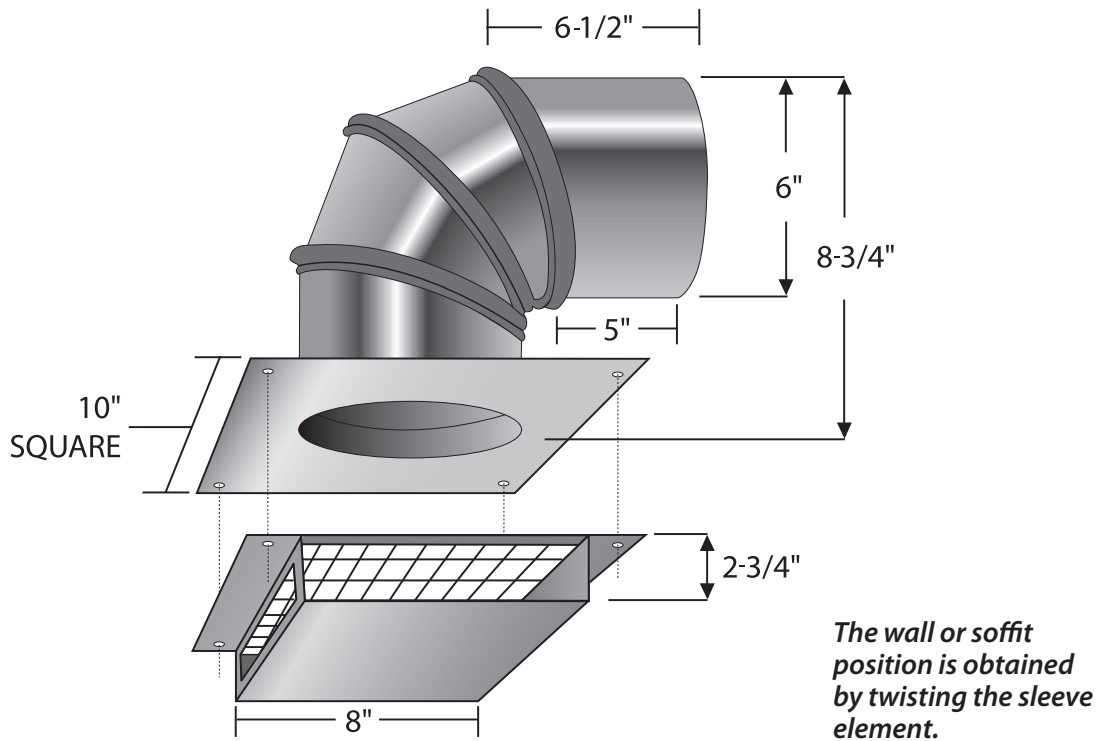




ROOF CAPS, WALL HOODS, GRILLES & DUCT FITTINGS
Universal Wall/Soffit Exhaust Vent
6" Exhaust Vent

PRODUCT
SPECIFICATIONS
& TECHNICAL
DATA

6" Universal Wall/Soffit Exhaust Vent – P/N 22 035



Material: Galvanized Steel

© 2013 American ALDES Ventilation Corporation. Reproduction or distribution, in whole or in part, of this document, in any form or by any means, without the express written consent of American ALDES Ventilation Corporation, is strictly prohibited. The information contained within this document is subject to change without prior written notice.

American ALDES Ventilation Corporation • 4521 19th Street Court East, Suite 104 • Bradenton, FL 34203 – USA
941.351.3441 • 800.255.7749 • 941.351.3442 (fax) • info@americanaldes.com • www.aldes.us