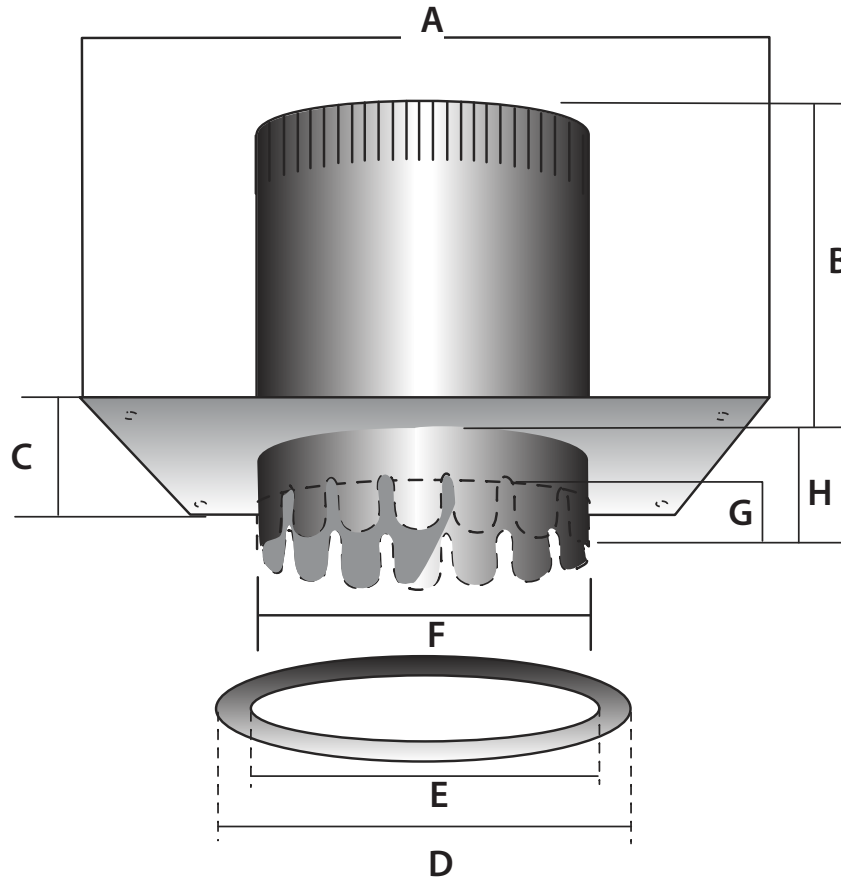




ROOF CAPS, WALL HOODS, GRILLES & DUCT FITTINGS
Universal Sleeves
 For Connecting Grilles to Flex Duct Work

PRODUCT
 SPECIFICATIONS
 & TECHNICAL
 DATA



DIMENSIONAL DATA									
PART NUMBER	DESCRIPTION	Dia. A	B	C	Dia. D	Dia. E	Dia. F	G	H
22 094	4" Dia. Sleeve	9"	5-1/2"	7" x 9"	5"	4-1/8"	4"	1/2"	1"
22 095	5" Dia. Sleeve	10"	5"	8" x 10"	5-3/4"	5-1/8"	4-15/16"	1/2"	1"
22 096	6" Dia. Sleeve	11"	5-1/2"	9" x 11"	7"	6"	5-7/8"	1/2"	1"
22 098	8" Dia. Sleeve	11"	7-1/4"	11" x 11"	9-1/8"	8-1/8"	8"	1/2"	1"

© 2013 American ALDES Ventilation Corporation. Reproduction or distribution, in whole or in part, of this document, in any form or by any means, without the express written consent of American ALDES Ventilation Corporation, is strictly prohibited. The information contained within this document is subject to change without prior written notice.