



ROOF CAPS, WALL HOODS, GRILLES & DUCT FITTINGS  
**RB-CS**  
 Ceiling-Mount Register Box with Side Take-Off Collar

PRODUCT  
 SPECIFICATIONS  
 & TECHNICAL  
 DATA



duct system design or installation, thermal stack effect, building pressure, dust-clogged filters, etc. The register box and CAR-II combination provides a low-cost solution to balancing ventilation and exhaust systems, essentially eliminating the need for on-site balancing. Automatic flow regulation is achieved without the use of electric or pneumatic sensors or controls.

The active control element of the CAR-II is a unique aerofoil. Using Bernoulli's Principle, the aero-wing damper lifts in response to increasing static pressure. This operation regulates the free-area opening through the control, maintaining velocity and specific airflow set points. Each CAR-II is designed and produced for control of air in temperatures ranging from -25° to 140°F (-32° to 60°C.)

**DESCRIPTION**

RB-CS Register Boxes are designed for installation in ceiling assemblies. Each RB-CS is specifically designed to accommodate an automatic, self-regulating constant airflow regulator (CAR-II), which is sold separately. The RB-CS includes mounting brackets, integral drywall flanges, and nine-hole screw-catch pattern for simple grille mounting. Optional flush-mount steel grilles are also available.

When used with a CAR-II, the passive control element in each CAR-II compensates for changes in duct pressure caused by

**CONSTRUCTION**

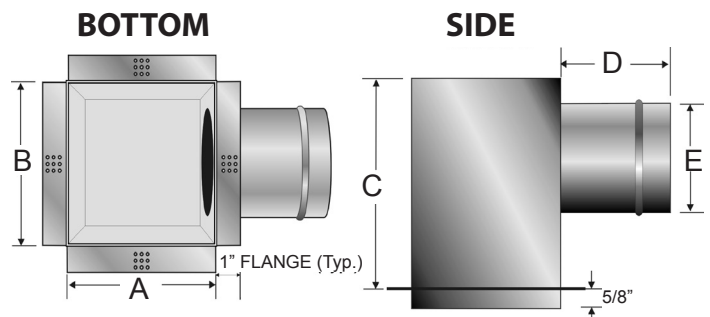
The RB-CS is constructed of heavy-gauge galvanized steel with an extended duct collar that allows attachment of flexible or rigid duct.

**ORDERING**

To order register boxes with Aldes Constant Airflow Regulators (CAR-II), see specification sheets for CERB-CS-II (exhaust or return air) or CSRB-CS-II (supply air). Models RB-CS do not include Constant Airflow Regulators (CAR-II).

**RB-CS Dimensions**

PART NUMBER	DUCT COLLAR*	A	B	C	D	E
54 021	3"	5-7/8"	5-7/8"	8"	4-1/2"	2-7/8"
54 022	4"	5-7/8"	5-7/8"	8"	4-1/2"	3-7/8"
54 023	5"	7-3/4"	7-3/4"	9"	5-3/4"	4-3/4"
54 024	6"	7-3/4"	7-3/4"	9"	5-3/4"	5-7/8"
54 026	6"	9-7/8"	9-7/8"	11"	5-3/4"	5-7/8"
54 027	8"	9-7/8"	9-7/8"	11"	6-1/2"	7-5/8"



© 2016 American ALDES Ventilation Corporation. Reproduction or distribution, in whole or in part, of this document, in any form or by any means, without the express written consent of American ALDES Ventilation Corporation, is strictly prohibited. The information contained within this document is subject to change without prior written notice.