



MAKE-UP AIR SOLUTIONS AIRLET™ 700

Temperature-Controlled Fresh Air Inlet

INSTALLATION
OPERATION
MAINTENANCE

READ AND SAVE THESE INSTRUCTIONS

The AIRLET™ 700 is a fresh air inlet designed to supply make-up air ventilation for bedrooms and living areas. It is not intended to supply combustion air for fireplaces or large exhaust fans, such as range hoods. The AIRLET™ 700 is compatible with zonal electric, radiant, and hydronic heating systems. It is not recommended for use with forced-air heating systems, unless return registers are provided in each room that has an AIRLET™ 700 installed. This is to prevent exfiltration through the inlet when the forced-air system is operating and doors are closed between rooms.

For make-up air products specifically engineered for use with forced-air heating systems, request an ALDES IAQ Fresh Air Kit from your supplier.

GENERAL

Best results will be obtained in homes with tight air-vapor retarders and continuous central exhaust from bathrooms, kitchens, and laundry rooms.

The goal is to achieve a home with slight negative pressure, so as to avoid exfiltration into the walls and attic. Install one fresh air inlet in each bedroom and in living/dining rooms. Inlets should not be installed in kitchens, bathrooms, or laundry areas. These areas should be exhaust points to a central exhaust system.

When placed high up on exterior walls, drafts from the inlet should not be noticeable. The interior fixture has louvers to direct the airflow upwards, where it quickly mixes with warmer air near the ceiling. The variable precision damper allows airflow adjustment using the slide operator located behind the vent cover.

TOOLS REQUIRED

- Hole saw, keyhole saw, saber saw, or router
- Drywall knife
- Phillips No.1 screwdriver
- Silicone or exterior butyl caulk

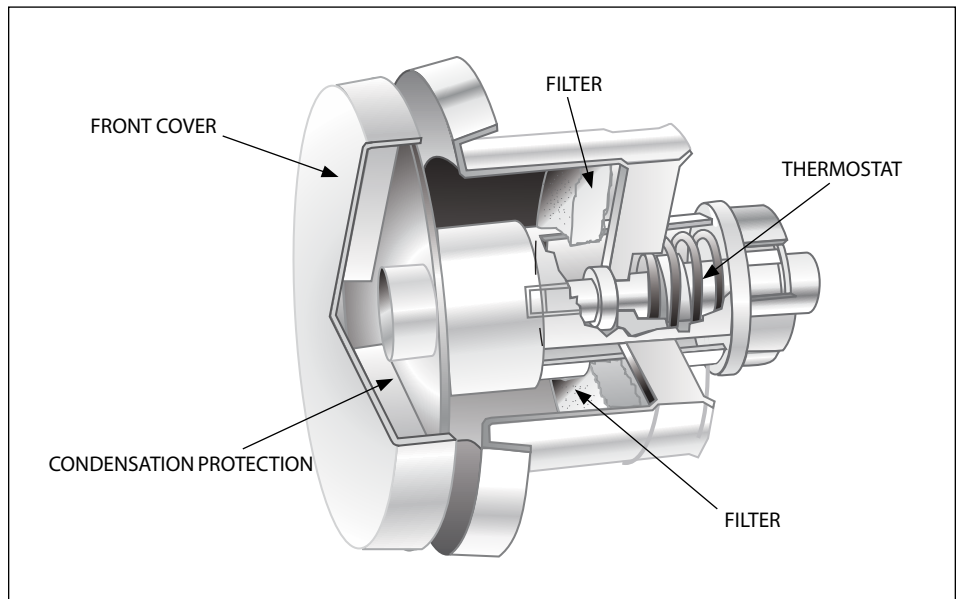
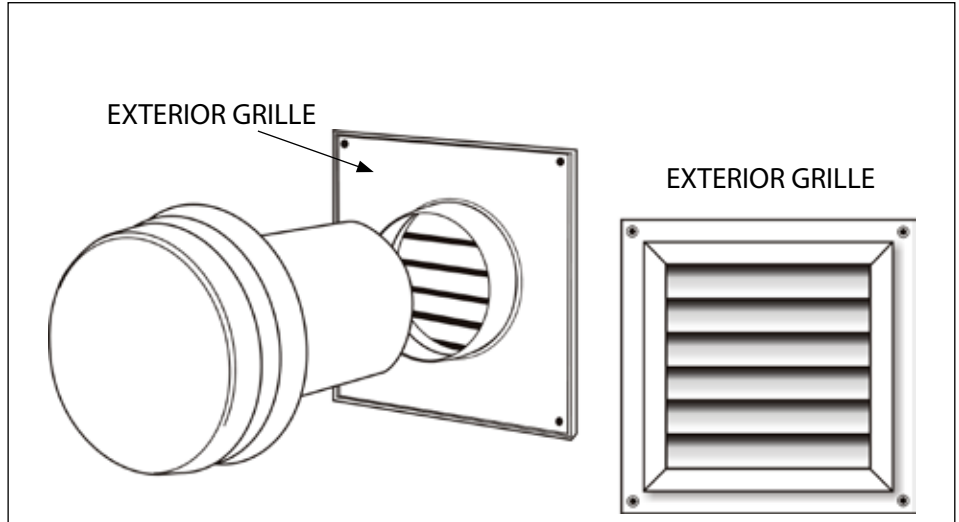


TABLE 1: AIRLET™ 700 ACCESSORIES

| | | | |
|-------------|-----------------------------|-------------|-----------------------------|
| P/N: 13 201 | 4" Sleeve Expansion Section | P/N: 13 711 | Standard Replacement Filter |
| P/N: 13 551 | Sound-Absorbing Wall Sleeve | P/N: 13 712 | Pollen Filter (Optional) |

ON FLAT SIDING OR SIDING WITH MINIMUM 7" EXPOSURE

1. Locate the position of the inlet on the exterior with reference to the interior. The inlet on the interior should be within 12" of the ceiling. **See Figure 1.**
2. Using the appropriate hole-cutting tool, cut a 4-1/8" diameter hole through the siding, sheathing, insulation, and interior wall surface. Take care to properly align the holes on the interior surface with the exterior and ensure a slight slope downwards towards the outside. This slope will permit any water to drain to the exterior.

CAUTION: Avoid cutting through any vertical framing members, pipes, or electrical wiring.

3. Press the outer adapter onto the louvered exterior vent. Fit additional pipe selections so that the total length is just slightly less than the wall thickness. Apply a 1/4" bead of caulk on the interior side of the outer adapter. **See Figure 2.** Fix the pipe in place using four of the screws provided. **See Figure 3.** The optional sound-reducing sleeve is designed to be field-cut to the exact wall thickness. This sleeve requires a 6" diameter hole.

4. Unscrew the interior valve cover, exposing the three countersunk screw locations on the mounting flange. **See Figure 4.** Mount the flange section using the screws provided. **See Figure 5.** Screw the valve cover back on the mounting flange until the first clicking sound is heard. (**NOTE: DO NOT OVERTIGHTEN VALVE COVER.**)

ON LAP SIDING WITH LESS THAN 6" EXPOSURE

The procedure is the same, except it may be necessary to provide a mounting plate for fixtures, or use a J-flashing to accommodate the exterior flange and grille.

MAINTENANCE

The only maintenance required is periodic cleaning of the filter and the interior grille. **See Table 1** for accessories.

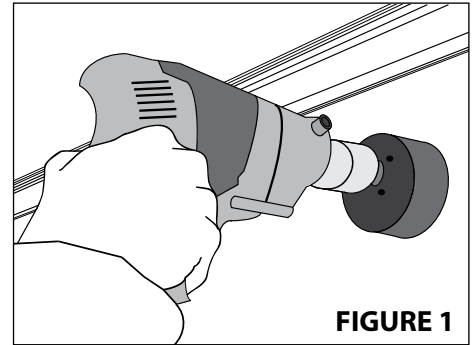


FIGURE 1

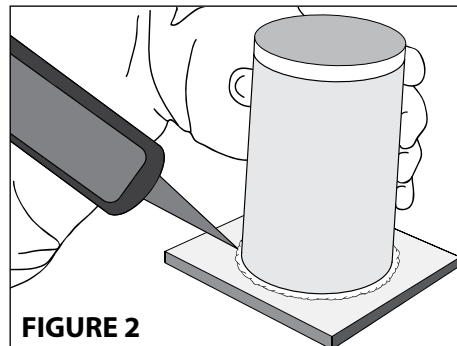


FIGURE 2

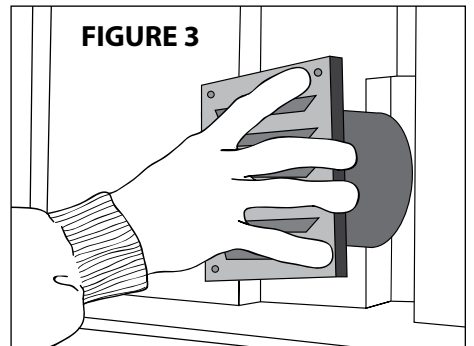


FIGURE 3

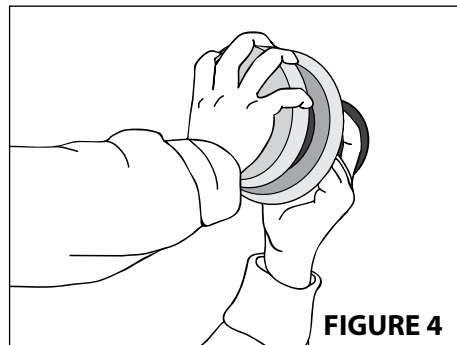


FIGURE 4

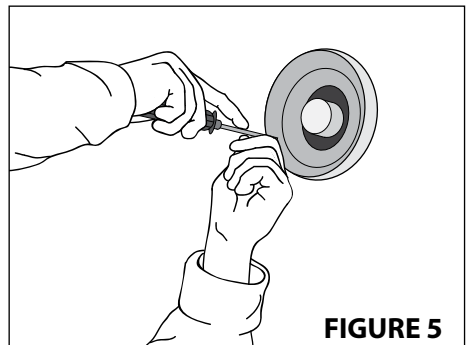


FIGURE 5

Some jurisdictions or utilities may have different requirements. Consult your code official/utility representative.

WARRANTY

The entire unit is guaranteed for three (3) years, from date of shipment, against all manufacturing defects, provided the material has been installed and operated per manufacturer's instructions and under normal conditions. Warranty is limited to the repair or replacement of the material upon its return freight paid to our factory. This warranty is not transferable and is limited to the original end user.

© 2015 American ALDES Ventilation Corporation. Reproduction or distribution, in whole or in part, of this document, in any form or by any means, without the express written consent of American ALDES Ventilation Corporation, is strictly prohibited. The information contained within this document is subject to change without prior written notice.