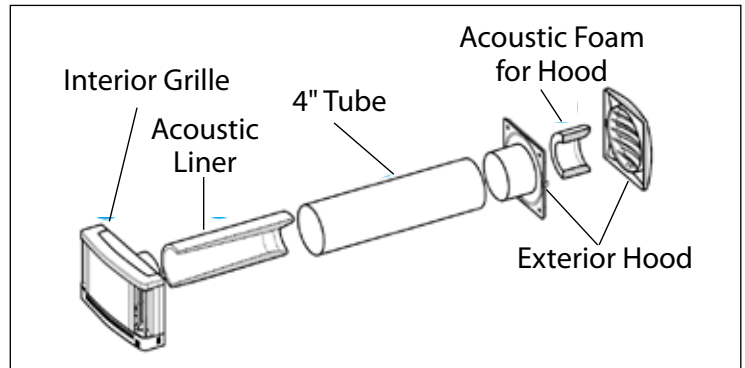




# MAKE-UP AIR SOLUTIONS AIRLET™ 600 Humidity-Controlled Fresh Air Inlet

PRODUCT  
SPECIFICATIONS  
& TECHNICAL  
DATA

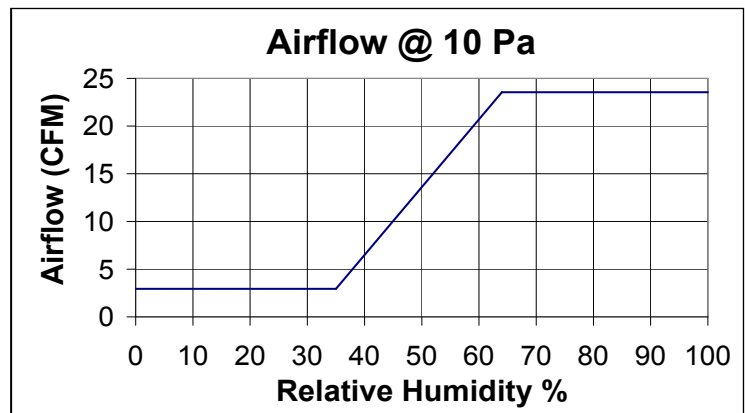


### DESCRIPTION

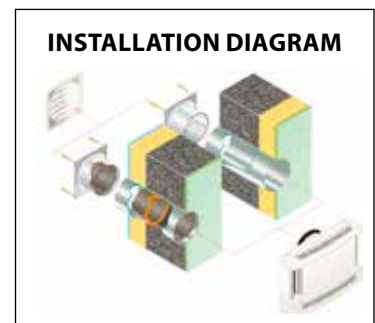
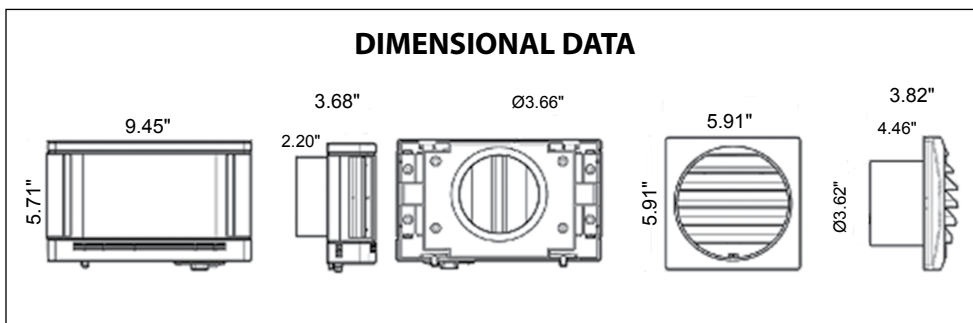
The AIRLET™ 600 is a unique make-up air inlet that automatically adjusts incoming airflow according to interior humidity levels. Ventilation make-up air is modulated according to the needs of the room. The AIRLET™ 600 mixes outdoor air with indoor air to minimize the perception of uncomfortable drafts, even in cold climates.

When installed in tightly constructed homes and apartments, along with a continuously operating exhaust system, the AIRLET™ 600 provides a controlled, dedicated pathway of fresh air to bedrooms and main living areas.

When used with a continuously operating exhaust system, AIRLET™ 600s are considered a vital component of a demand-controlled ventilation system that modulates exhaust rates according to relative humidity. In occupied rooms, the relative humidity increases and the inlet opens to allow fresh air to enter the room. In unoccupied rooms, the relative humidity decreases, and the inlet closes. Even when the exhaust rates are very low, the AIRLET™ 600 responds to occupancy patterns and ensures that fresh air enters rooms that have higher humidity levels. The airflow is at 10 Pa. pressure (due to exhaust fan operation). The net free area is 6 in<sup>2</sup> (4000 mm<sup>2</sup>).



COMPLETE UNITS & ACCESSORIES		Acoustic Attenuation
P/N: 14 170	Standard AIRLET™ 600 (Includes Interior Grille, 4" Dia. Tube, & Exterior Grille with Filter)	33 Dnew (Ctr) (dB)
P/N: 14 124	Acoustic Insert for Sleeve	42 Dnew (Ctr) (dB) (When used with P/N 14 170)



### WARRANTY

The entire unit is guaranteed for three (3) years, from date of shipment, against all manufacturing defects, provided the material has been installed and operated per manufacturer's instructions and under normal conditions. Warranty is limited to the repair or replacement of the material upon its return freight paid to our factory. This warranty is not transferable and is limited to the original end user.

© 2015 American ALDES Ventilation Corporation. Reproduction or distribution, in whole or in part, of this document, in any form or by any means, without the express written consent of American ALDES Ventilation Corporation, is strictly prohibited. The information contained within this document is subject to change without prior written notice.