



MAKE-UP AIR SOLUTIONS AIRLET™ 200

Round Self-Regulating Fresh Air Inlet

INSTALLATION
OPERATION
MAINTENANCE

READ AND SAVE THESE INSTRUCTIONS

The AIRLET™ 200 is a fresh air inlet designed to supply make-up air ventilation to bedrooms and living areas. It is not intended to supply combustion air for fireplaces or large exhaust fans, such as range hoods.

The AIRLET™ 200 is compatible with zonal electric, radiant, and hydronic heating systems. It must not be used with forced-air heating systems, unless return registers are provided in each room that has an AIRLET™ 200 installed. This is to prevent exfiltration through the inlet when the forced-air system is operating and doors are closed between rooms.

For make-up air products specifically engineered for use with forced-air heating systems, request an ALDES IAQ Fresh Air Kit from your supplier.

GENERAL

Best results will be obtained in homes with tight air-vapor retarders and continuous central exhaust from bathrooms, kitchens, and laundry rooms.

The goal is to achieve a home with slight negative pressure, so as to avoid exfiltration into the walls and attic. Install one fresh air inlet in each bedroom and in living/dining rooms. Inlets should not be installed in kitchens, bathrooms, or laundry areas. These areas should be exhaust points to a central exhaust system.

When placed high up on exterior walls, drafts from the inlet should not be noticeable. The interior fixture has louvers to direct the airflow upwards, where it quickly mixes with warmer air near the ceiling.

TOOLS REQUIRED

- 5-1/4" diameter hole saw, keyhole saw, saber saw, or router
- Drywall knife
- Phillips No.1 screwdriver
- Silicone or exterior butyl caulk.

ON FLAT SIDING OR SIDING WITH MINIMUM 6" EXPOSURE

1. Position the inlet on the exterior with reference to the interior. The inlet on the interior should be within 12" of the ceiling, but no closer than 6" to the ceiling.
2. Using the appropriate hole-cutting tool, cut a 5-1/8" diameter hole through the siding, sheathing, insulation, and interior wall surface. Take care to properly align the holes on the interior surface with the exterior.

CAUTION: Avoid cutting through any vertical framing members, pipes, or electrical wiring.

3. Apply a 1/4" bead of caulk on the interior side of the square flange within 1/4" of its edges and its connection with the cylindrical sleeve. These precautions are necessary in order to avoid rain leakage or water behind the flange. **See Figure 1.**

4. Insert the outer sleeve with the square flange through the siding towards the interior.

5. Attach the exterior grille with mesh to the square flange and secure to the siding with the screws provided.

NOTE 1: The aluminum exterior grille may be painted with latex/acrylic paint after cleaning with a mild acid wash, such as vinegar. The white grille may be painted with an oil-based paint, if desired, though several coats may be necessary to obtain good results.

NOTE 2: If the siding is painted after installation of the exterior grille, take precautions to avoid paint clogging the mesh screen of the grille.

FIGURE 1

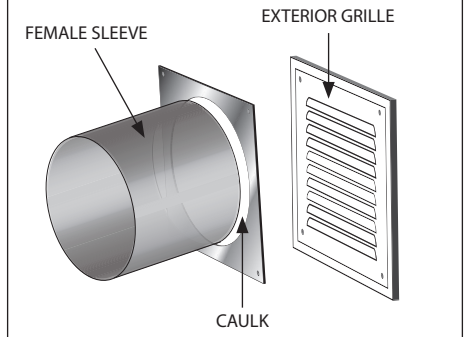


FIGURE 2

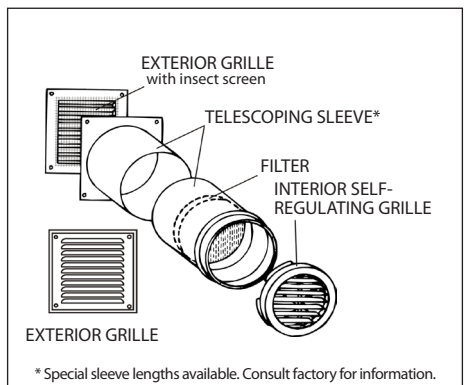
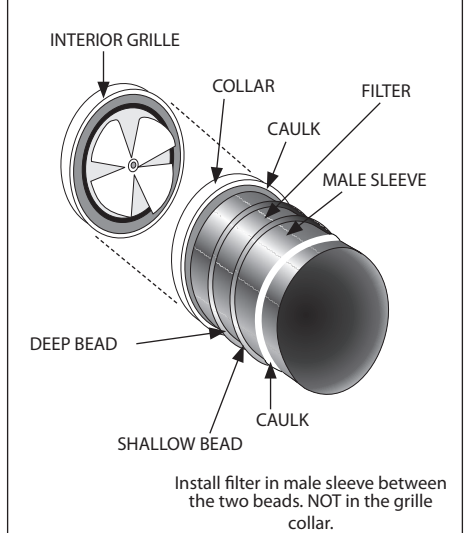


TABLE 1: AIRLET™ 200 ACCESSORIES

P/N: 23 853	Replacement Filter
-------------	--------------------

6. To install the interior half of the sleeve, first fit the plastic collar to the male sleeve with the two concave beads. Note that one bead is deeper than the other. The deeper bead must be oriented close to the plastic collar. Install the filter between the two beads. **See Figure 2.** This should be a snug friction fit. (In the event of wind-driven rain entering the inlet, the filter can block further penetration, and the accumulating water can drain over the shallow bead to the exterior.)

Apply a generous bead of caulk to the concave beads. In addition, apply a small caulk bead to the flange of the plastic collar to make an airtight seal with the drywall surface. Then, insert this assembly into the already-in-place female sleeve and press firmly against the drywall. Wipe off any excess caulk from the circumference of the plastic collar.

7. Insert the plastic grille with the flow-control element onto the plastic collar, with the louvers oriented to direct the airflow upwards.

ON LAP SIDING WITH LESS THAN 6" EXPOSURE

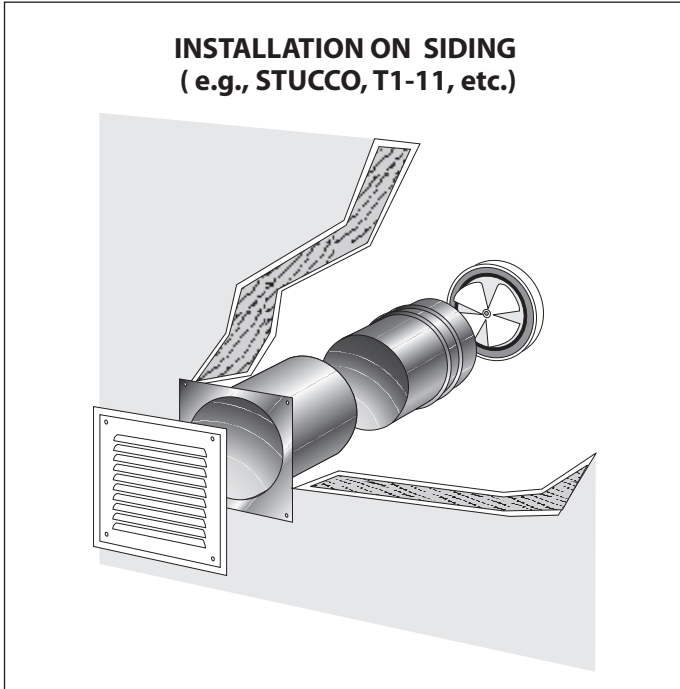
The procedure is the same, except it may be necessary to provide a mounting plate for fixtures, or use a J-flashing to accommodate the exterior flange and grille.

MAINTENANCE

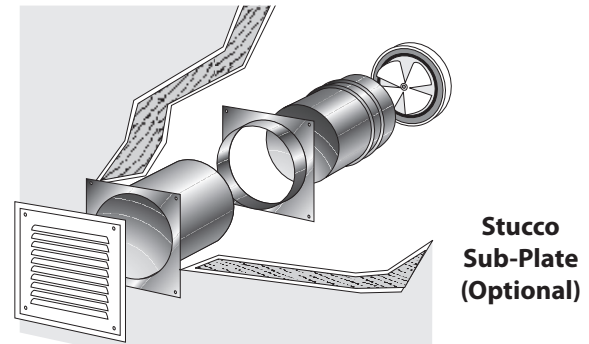
The only maintenance required is periodic cleaning of the filter and the interior grille. Occasionally, the mesh screen on the exterior grille may need to be cleared of insects and dust. **See Table 1** for replacement filters.

INSTALLATION EXAMPLES

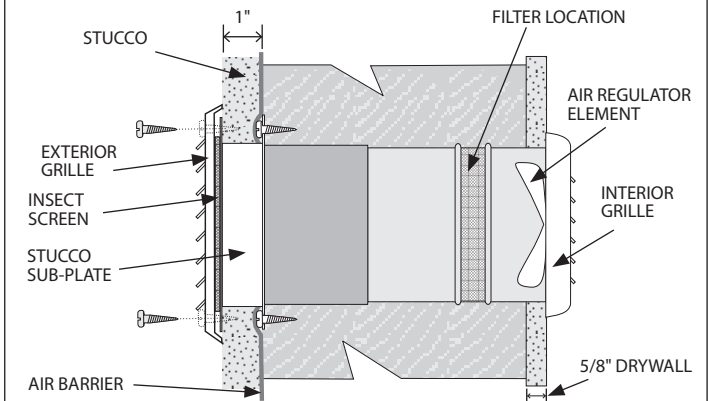
**INSTALLATION ON SIDING
(e.g., STUCCO, T1-11, etc.)**



INSTALLATION WITH STUCCO SUB-PLATE



STUCCO INSTALLATION DETAIL



Some jurisdictions or utilities may have different requirements. Consult your code official/utility representative.

WARRANTY

The entire unit is guaranteed for three (3) years, from date of shipment, against all manufacturing defects, provided the material has been installed and operated per manufacturer's instructions and under normal conditions. Warranty is limited to the repair or replacement of the material upon its return freight paid to our factory. This warranty is not transferable and is limited to the original end user.

© 2015 American ALDES Ventilation Corporation. Reproduction or distribution, in whole or in part, of this document, in any form or by any means, without the express written consent of American ALDES Ventilation Corporation, is strictly prohibited. The information contained within this document is subject to change without prior written notice.