

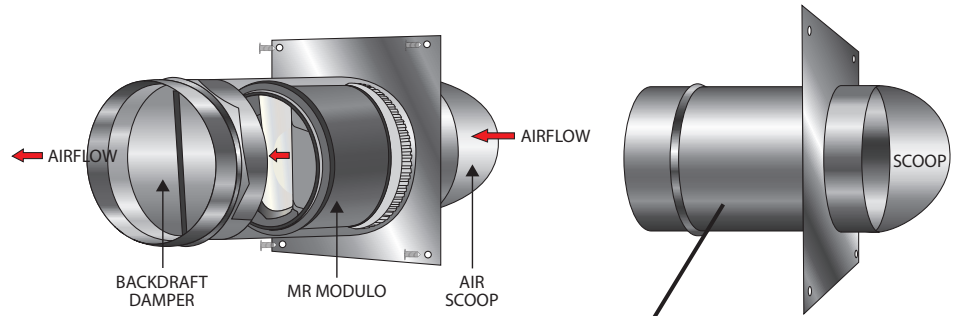


# AIRFLOW & ZONE CONTROLS

## CCV Modulo

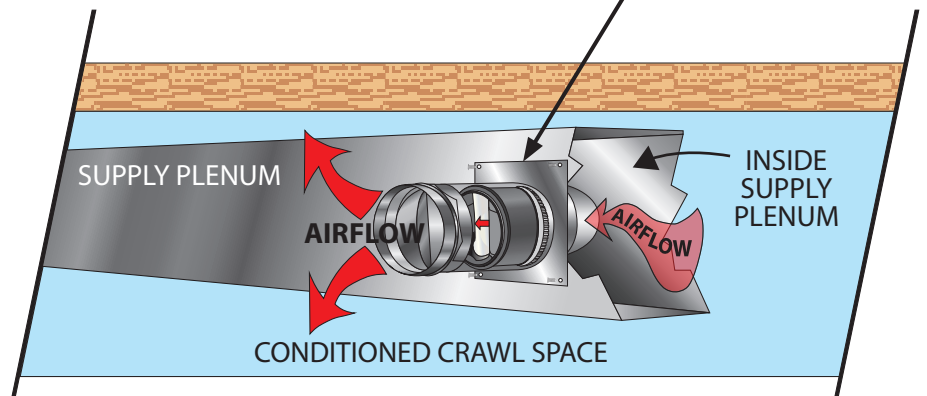
### Crawl Space Control Valve

PRODUCT SPECIFICATIONS & TECHNICAL DATA



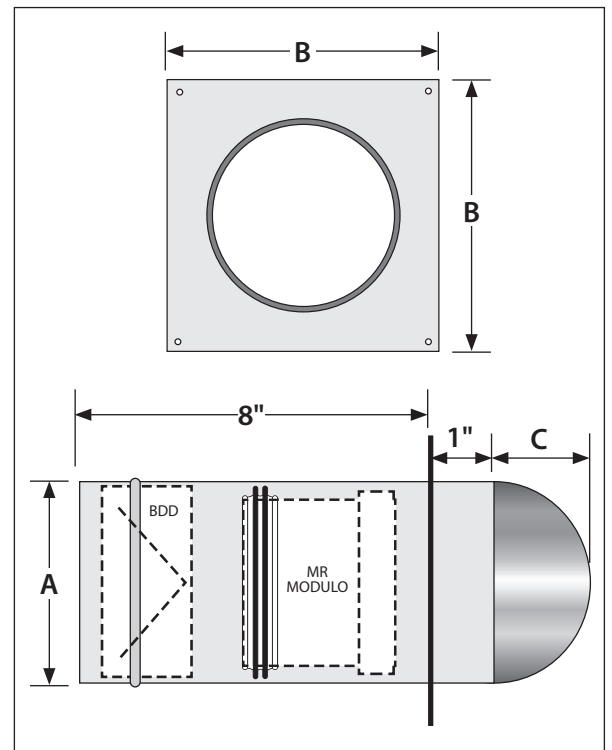
#### DESCRIPTION

The CCV Modulo self-balancing crawl space supply control valve attaches to the supply air ductwork of a central forced air conditioning system and regulates the recommended amount of conditioned air to sealed crawl spaces or basements. The CCV Modulo includes a duct adapter, a backdraft damper, and a field-adjustable Constant Airflow Regulator (MR Modulo).



## Models & Dimensions

P/N	SIZE	A	B	C	AIRFLOW RANGE
22 114AMR	4"	4"	7"	2"	10-50 CFM
22 115AMR	5"	5"	8"	2-1/2"	10-50 CFM
22 115AMRH	5"	5"	8"	2-1/2"	60-115 CFM
22 116AMR	6"	6"	9"	3"	60-140 CFM



© 2015 American ALDES Ventilation Corporation. Reproduction or distribution, in whole or in part, of this document, in any form or by any means, without the express written consent of American ALDES Ventilation Corporation, is strictly prohibited. The information contained within this document is subject to change without prior written notice.