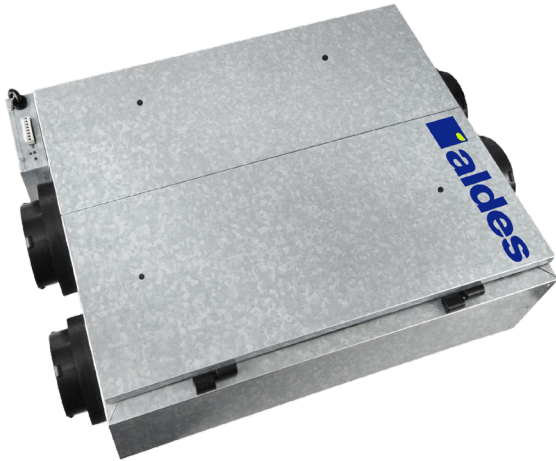




InspirAIR® COMPACT H80-HR Heat Recovery Ventilator

PRODUCT
SPECIFICATIONS
& TECHNICAL
DATA



PRODUCT DESCRIPTION

The energy efficient balanced in-suite ventilation solution ideal for multi-unit residential buildings, the H80-HR is a compact, easy-to-install air exchanger only 9 inches (230 mm) in height. Easily concealed in a drop-ceiling or soffit, this unit has been thoughtfully engineered for apartments, condominiums, and other dwellings.

The H80-HR exchanges **79 CFM** of air at 0.2 in.w.g (ESP), perfect for smaller dwellings in multi-unit residential buildings. The H80-HR includes Aldes' exclusive EvacMAX™ on-demand boost for maximum ventilation, and FLEXControl, electronic calibration that eliminates the need for balancing dampers and maximizes overall efficiency.

KEY FEATURES

- Up to 70% sensible recovery efficiency, a great choice for LEED-certified buildings
- Hassle-free balancing using the balancing chart, pressure taps in the door, and the independently adjustable supply and exhaust blowers (FLEXControl)
- Unique compact door allows easy access to the washable MERV 6 filters

APPROVALS

Meets Standards:

- C22.2 no113 and UL 1812
- HVI Certified

CASING

Material: 24-gauge galvanized steel
 Drain Connection: 0.5" (13 mm)
 Duct Diameter: 5" (127 mm)
 Insulation: 1" (25 mm)
 Width: 22" (559 mm)
 Height: 9" (230 mm)
 Depth: 27" (686 mm)
 Weight: 35 lbs (16 kg); Shipping Weight: 40 lbs (18 kg)

MOUNTING

- Suspended above the ceiling by chains with vibration-isolating springs (included)
- Optional ceiling mount kit available for quick installation

RECOVERY CORE

Polypropylene sensible heat-recovery core

BLOWERS

Quantity: 2
 Type: Motorized impellers (backward-inclined)

ELECTRICAL REQUIREMENTS

120 VAC, 60 Hz, 0.8 A, 144 W (MAX)
 Cord Set: min 36" (914 mm) with ground

CONTROLS

Low voltage (24 VAC) for:

- Digital Multifunction Control (P/N: 611242-FC)
- Recirculation control mode (PN 611230)
- Speed Control (P/N: 611229)
- 20/40/60 Minute Timer (P/N: 611228)
- Dry contact interlock for forced air heating/cooling system

FROST CONTROL

- Automatic timed recirculation
- Activated by a sensor when the outdoor temperature drops below 23°F (-5°C)

FILTERS

Quantity: 2
 Type: MERV 6 (Two replacement filters, P/N: 612415)

WARRANTY

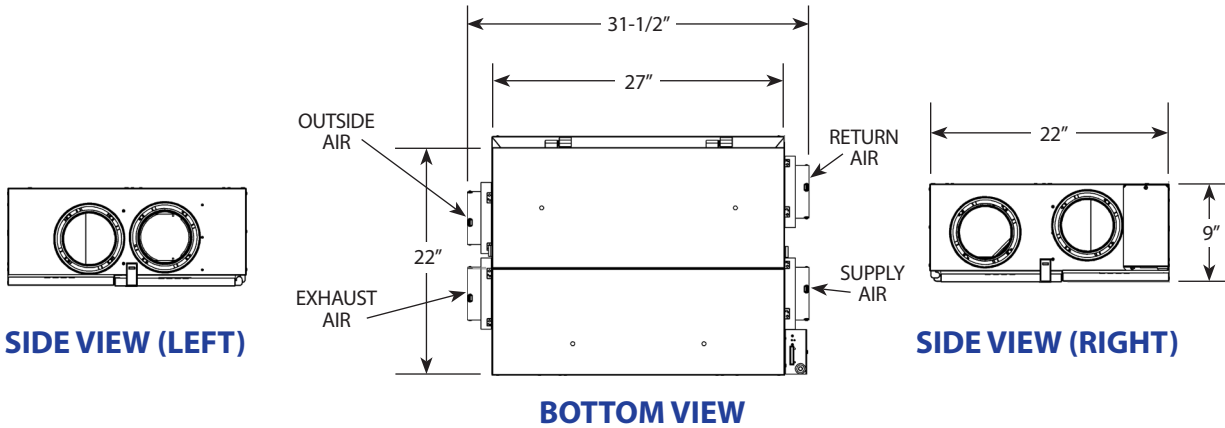
Core Assembly: Limited Lifetime
 All Other Covered Components: Limited 5-year warranty

Acoustic Performance

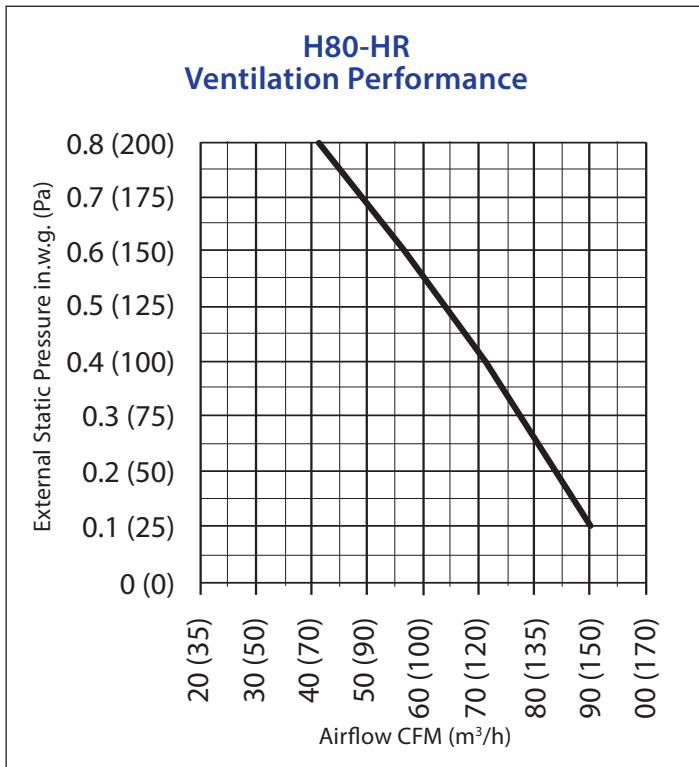
Airflow	Radiated	Supply Air	Exhaust Air
55 CFM	34 dBA	34 dBA	23 dBA
68 CFM	43 dBA	42 dBA	35 dBA

Based on HVI Publication 915, using insulated flexible duct.

Dimensions



Performance



Recovery Performance – H80-HR

Supply Temperature		Net Airflow		Power Consumed (W)	Sensible Recovery Efficiency	Adjusted Sensible Recovery Efficiency
°F	°C	CFM	L/s			
32	0	56	26	32	70%	74%
32	0	65	31	46	67%	71%
32	0	80	38	62	64%	69%
-13	-25	52	24	47	63%	65%



For more information, contact your Aldes sales advisor, visit aldes-na.com, call 1.800.255.7749, or find us on

