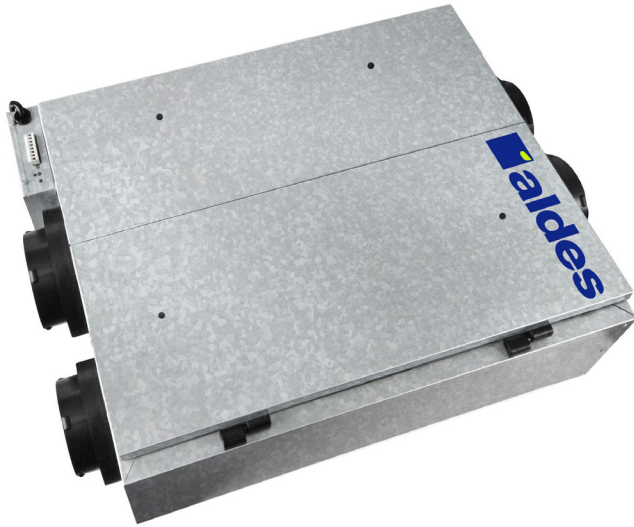




# InspirAIR® COMPACT E80-HF Energy Recovery Ventilator

PRODUCT  
SPECIFICATIONS  
& TECHNICAL  
DATA



## PRODUCT DESCRIPTION

The energy efficient balanced in-suite ventilation solution ideal for multi-unit residential buildings, the E80-HF delivers superior heat recovery and a latent transfer of over 65% in a compact, easy-to-install package only 9 inches (230 mm) in height. Easily concealed in a drop-ceiling or soffit, this unit has been thoughtfully engineered for apartments, condominiums, and other dwellings.

The E80-HF exchanges **74 CFM** of air at 0.2 in.w.g (ESP), perfect for smaller dwellings in multi-unit residential buildings. The E80-HF includes Aldes' exclusive EvacMAX™ on-demand boost for maximum ventilation, and FLEXControl, electronic calibration that eliminates the need for balancing dampers and maximizes overall efficiency.

## KEY FEATURES

- No drain required with Aldes' high performance HLT crossflow ERV core technology
- Up to 73% sensible recovery efficiency, a great choice for LEED-certified buildings
- Hassle-free balancing using the balancing chart, pressure taps in the door, and the independently adjustable supply and exhaust blowers (FLEXControl)
- Unique compact door allows easy access to the washable MERV 6 filters

## APPROVALS

Meets Standards:

- C22.2 no113 and UL 1812
- HVI Certified



## CASING

Material: 24-gauge galvanized steel  
 Drain Connection: None  
 Duct Diameter: 5" (127 mm)  
 Insulation: 1" (25 mm)  
 Width: 22" (559 mm)  
 Height: 9" (230 mm)  
 Depth: 27" (686 mm)  
 Weight: 37 lbs (17 kg); Shipping Weight: 42 lbs (19 kg)

## MOUNTING

- Suspended above the ceiling by chains with vibration-isolating springs (included)
- Optional ceiling mount kit available for quick installation

## RECOVERY CORE

High-Latent-Transfer fixed plate enthalpic core by Aldes

## BLOWERS

Quantity: 2  
 Type: Motorized impellers (backward-inclined)

## ELECTRICAL REQUIREMENTS

120 VAC, 60 Hz, 0.8 A, 144 W (MAX)  
 Cord Set: min 36" (914 mm) with ground

## CONTROLS

Low voltage (24 VAC) for:

- Digital Multifunction Control (P/N: 611242-FC)
- LCD Electronic Multifunction Control (P/N 611227)
- Speed Control (P/N: 611229)
- 20/40/60 Minute Timer (P/N: 611228)
- Dry contact interlock for forced air heating/cooling system

## FROST CONTROL

- Automatic timed integral exhaust defrost
- Activated by a sensor when the outdoor temperature drops below 18°F (-8°C)

## FILTERS

Quantity: 2  
 Type: MERV 6 (Two replacement filters, P/N: 612415)

## WARRANTY

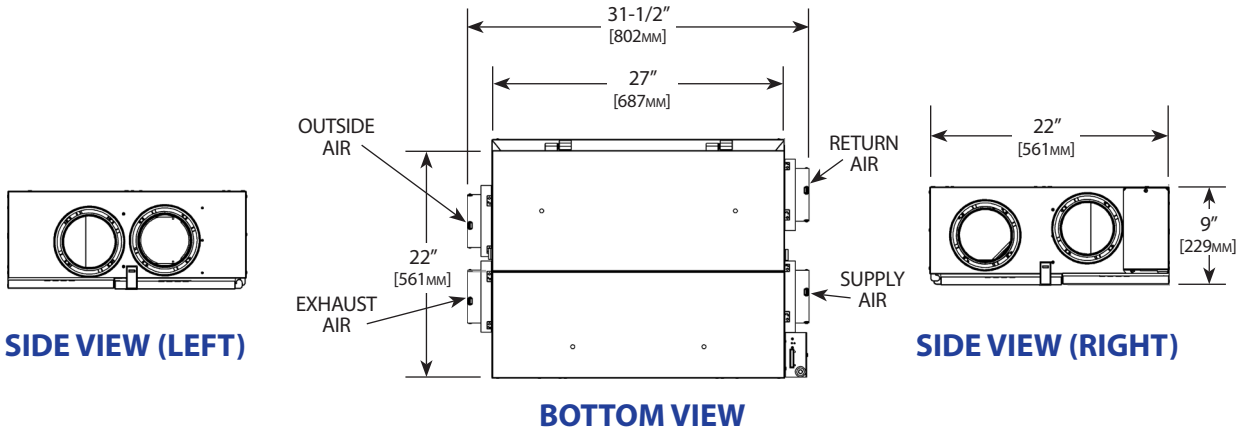
Limited 5-year warranty on all components

## Acoustic Performance

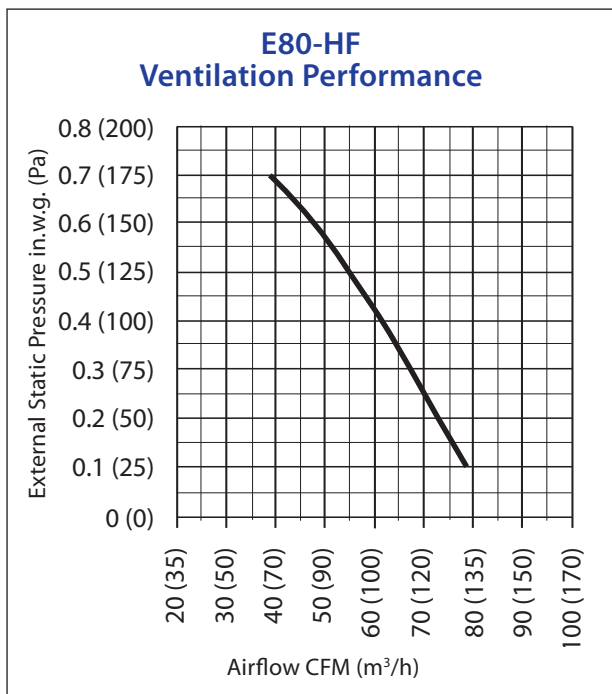
Airflow	Radiated	Supply Air	Exhaust Air
55 CFM	34 dBA	34 dBA	23 dBA
61 CFM	42 dBA	40 dBA	33 dBA

Based on HVI Publication 915, using insulated flexible duct.

# Dimensions



# Performance



Recovery Performance – E80-HF								
Supply Temperature		Net Airflow		Power Consumed (W)	Sensible Recovery Efficiency	Adjusted Sensible Recovery Efficiency	Latent Transfer	Total Recovery Efficiency
°F	°C	CFM	L/s					
32	0	55	26	32	73%	80%	0.61	--
32	0	67	32	54	70%	78%	0.59	--
32	0	80	38	66	68%	76%	0.55	--
95	35	49	23	49	n/a	74%	0.66	64%



For more information, contact your Aldes sales advisor, visit [aldes-na.com](http://aldes-na.com), call 1.800.255.7749, or find us on

