



Model

611242-FC: Digital Multifunction Control with Free Cooling setting

Description

Decora™-style wall mount electronic controller with dehumidistat, compatible with Aides HRV and ERV air exchange systems.



Characteristics

- Compact and elegant design that fits discretely in every decor
- High-accuracy, fast-response humidity sensor
- Liquid-crystal display showing the current humidity level, setpoint, and operation mode
- 4-button keypad to select the mode of operation, the setpoint value, and the fan speed
- Blue LED backlight configurable as a night light
- Two energy-friendly modes with automatic exchange and exchange-recirculation cycles
- Timer-controlled high-speed exchange modes for high occupancy conditions: birthdays, celebrations, etc.

Specifications

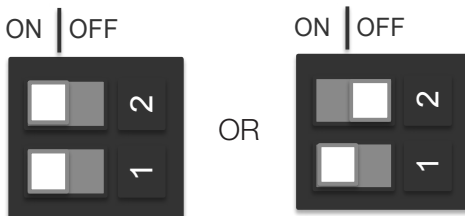
Power entry:	22 to 26 VAC, 60 Hz
Initial relative humidity precision	± 4%, from 20% to 80% RH at 25°C
Relative humidity setting range	10% to 90%
Relative humidity display range	25% to 99% (LO/BAS is displayed if under 25% RH)
Maximum load, high-speed control output:	10 Watts maximum (0.42 A @ 24 VAC)
Maximum load, low-speed control output:	0.24 Watts maximum (0.01 A @ 24 VAC)
Timer input:	Compatible with Aldes Timer 611228
Operating temperature range:	0 to 50°C (32 to 122°F)
Storage temperature range:	-20 to 50°C (-4 to 122°F)
Dimensions:	Height 102.7 mm, Width 44.3 mm, Depth 28.5 mm (4.04 in x 1.74 in x 1.12 in)

Precautions and warnings

- ⚠ Always switch off the power supply to the air exchange system during the installation of the control.
- ⚠ Do not install the control on an electrical junction box with 120 / 240VAC. The multifunction control must be installed on a dedicated electrical junction box.
- First check if the control is compatible with your air exchange system before connecting and powering-up the unit. Non-compatibility could result in a malfunction or breakage, or could damage the air exchange system.
- Connect the multifunction control in compliance with the instructions provided in this document. An improper connection could result in a malfunction or could damage the device.
- Do not spray any type of liquid nor apply a soaked cloth on the device. Any infiltration in the device can corrupt its operation momentarily or permanently.
- Always service your air exchange system as prescribed in its operating manual to prevent any loss of performance.
- Install the multifunction control on an internal wall for optimal reading of the ambient relative humidity.

Configuration

The control must be configured before its installation, using the two micro-switches located on the back.

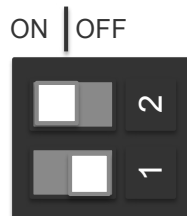


HRVs with recirculation and without free cooling:

7200, 7210, 7240, 7260, 7290, 7292, 7295

H/E80-HR, H/E95, H120, H/E130, H/E150, H/E190, H/E215, H/E240-Ri, H/E280

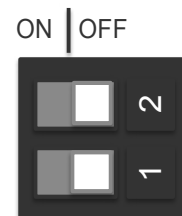
H/E650-Ri, H/E1100-Ri, H/E1600-Ri, H/E1800-Ri (Light Commercial with Recirculation Kit)



HRVs without recirculation:

7250, 7261
H/E80-HF, H/E110-TF, E130-HF

H/E650-Fi, H/E1100-Fi, H/E1600-Fi, H/E1800-Fi (Light Commercial without recirculation kit)



HRVs with recirculation and with free cooling:

H/E80-HRG, H/E80-HRX

Installation

Material and equipment

- The multifunction control, the Decora wall plate and its (2) screws (supplied with the multifunction control);
- The fastening hardware to mount the unit on the wall (not included);
- Your air exchange system (not included) and its 4-wire cable: yellow, red, green, and blue;
- A fine flathead screwdriver (non-included) for connecting the wires to the multifunction control.

Installation over an electrical junction box

1. Disconnect the power cable of your air exchange system;
2. Install an electrical junction box (metal or plastic) at the location selected for the multifunction control (Figure 1);
3. Route the cable of your system to the junction box, keeping an extra length of 10 cm (4 in) for the connections;
4. At the end of the cable, strip 50 mm (2.5 in) of the outer sheath to free the four wires;
5. Strip 7 mm (1/4 in) of each wire's sheath. Using the screwdriver and Figure 2, connect each wire to the control;
6. Fasten the multifunction control on the electrical junction box, then fasten the Decora wall plate;
7. Connect the power cable of the air exchange system and verify the proper operation of the system.

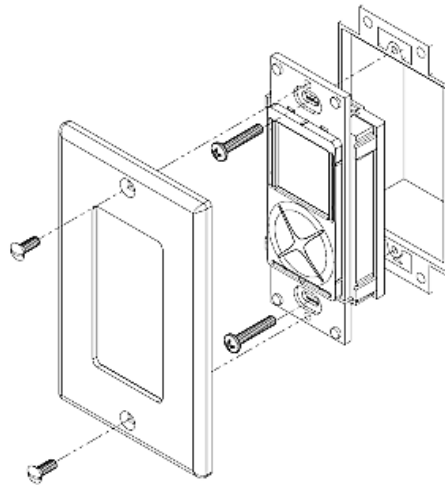


Figure 1

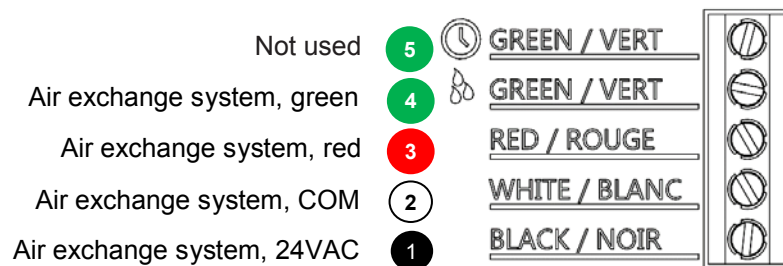


Figure 2