



Electronic Humidistat with LCD

Specification and Installation Instructions

Model

611227

Description

The Electronic Humidistat with LCD is used with HRV/ERV systems or with air exchanger/extractor units

Features

- Built-in temperature and humidity sensor
- Displays setpoint, actual relative humidity, actual ambient temperature and operation mode
- Adjust setpoint and ventilator speed
- Select operation mode
- Select temperature unit display in °C or °F

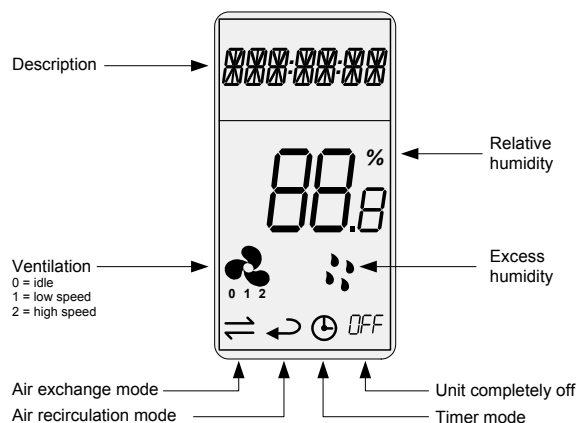


611227

Technical Specifications

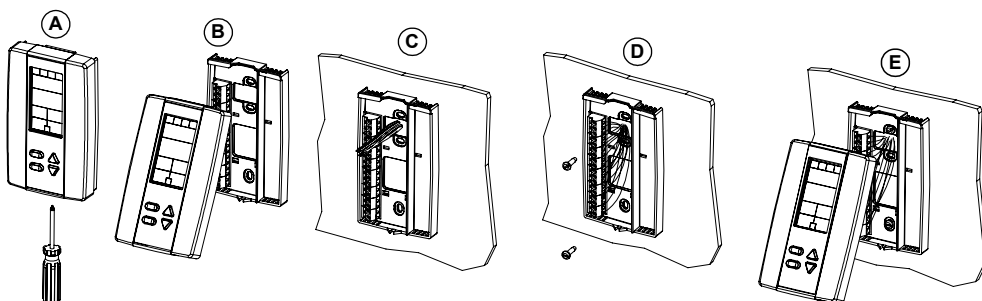
Description	611227
Power:	22 to 26 Vac 50/60 Hz
Humidity precision:	+/- 3 % between 20 and 80 % RH
Humidity setpoint range:	10 to 90 % RH
Humidity display range:	0 to 100 % RH
Temperature precision:	± 0.4 °C between 20 and 40°C [68 to 104°F]
Plage d'affichage de température :	0 to 50 °C [32 to 122 °F]
Temperature display range:	0 to 50 °C [32 to 122 °F], 0-95 %RH
Storage temperature:	-20 to 50 °C [-4 °F to 122 °F], 0-95 %RH
Dimensions	<p> A = 2.85" (73mm) B = 4.85" (123mm) C = 1.00" (25mm) D = 2.36" (60mm) E = 3.27" (83mm) </p>

Interface

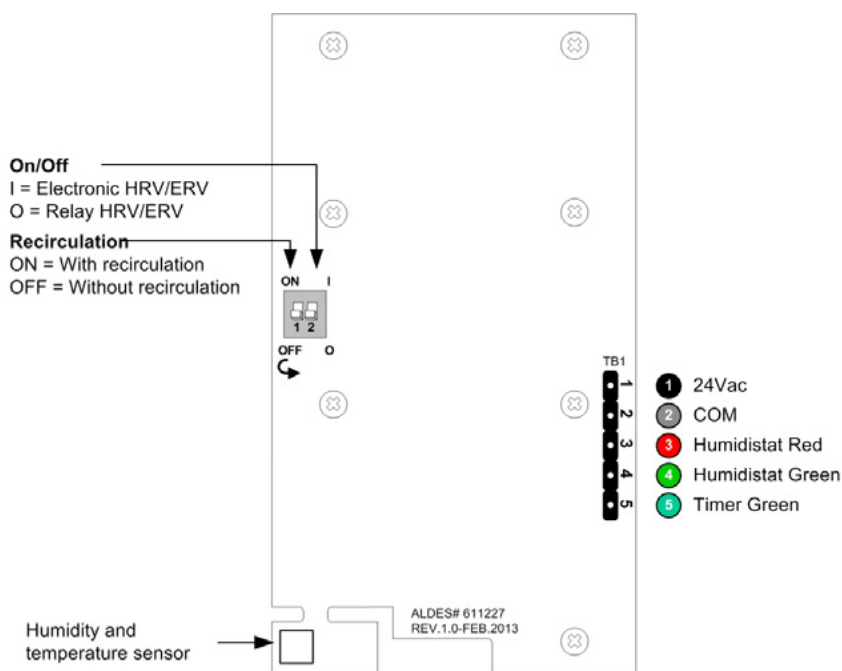






⚠ CAUTION: Remove power to avoid a risk of malfunction.

- Remove the captive screw that's holding the base and the front cover of the unit together.
- Lift the front cover of the unit to separate it from the base.
- Pull all wires through the holes in the base.
- Secure the base to the wall using wall anchors and screws (supplied). Make the appropriate connections.
- Mount the control module on the base and secure using the screw



Connections



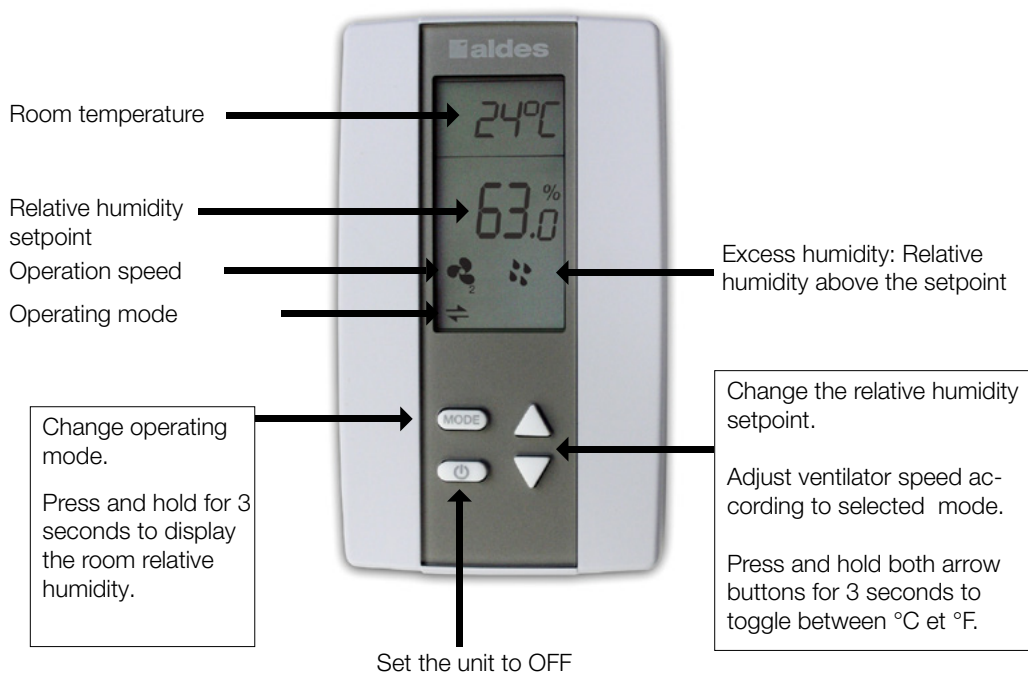
<p>With recirculation 7200 – 7210 – 7240 – 7260 – 7290 – 7292 – 7295 H/E80-HR(G/X) – H/E95 – H120 – H/E130 H/E150 – H/E190 – H/E215 – H/E280 H/E650* – H/E1100* – H/E1800*</p> 	<p>Electronic HRV/ERV 7240 – 7250 – 7260 – 7261 – 7290 – 7292 – 7295 H/E80 – H/E95 – H/E110 – H120 – H/E130 H/E150 – H/E190 – H/E215 – H/E280 H/E650 – H/E1100 – H/E1800</p> 
<p>Without recirculation 7250 – 7261 H/E80-HF – H110 H/E650** – H/E1100** – H/E1800**</p> 	<p>Relay HRV/ERV 7200 – 7210</p> 

* with recirculation

** without recirculation

Operation Mode

Electronic Humidistat with LCD Specification and Installation Instructions



Displays the « Excess Humidity » icon if the humidity level is above the setpoint. The unit will evacuate the excess humidity to the outside at high speed until the humidity level drops below the setpoint. If the operation mode is « OFF » the excess humidity will not be evacuated from the building.

After 5 seconds without pressing a button, the display returns to normal.

Mode	Speed	Description	ON I		ON I		ON I		ON I	
			OFF	O	OFF	O	OFF	O	OFF	O
			ON ON	OFF ON	ON OFF	OFF OFF				
OFF	-	Unit stops completely. Remains idle regardless of the humidity level.	Yes	Yes	n/a	n/a				
↕	0	Remains idle until the humidity goes above the setpoint.	Yes	Yes	n/a	n/a				
	1	Continuously exchanges air with the outside at low speed.	Yes	Yes	Yes	Yes				
	2	Continuously exchanges air with the outside at high speed.	Yes	Yes	Yes	Yes				
↻	1	Recirculates interior air at low speed.	Yes	n/a	Yes	n/a				
	2	Recirculates interior air at high speed.	Yes	n/a	Yes	n/a				
⌚	1	Exchanges air with the outside at low speed for 20 minutes. Then remains idle for 40 minutes.	Yes	Yes	n/a	n/a				
↻⌚	1	Continuously exchanges air with the outside at low speed for 20 minutes. Then recirculates interior air at low speed for 40 minutes.	Yes	n/a	Yes	n/a				

